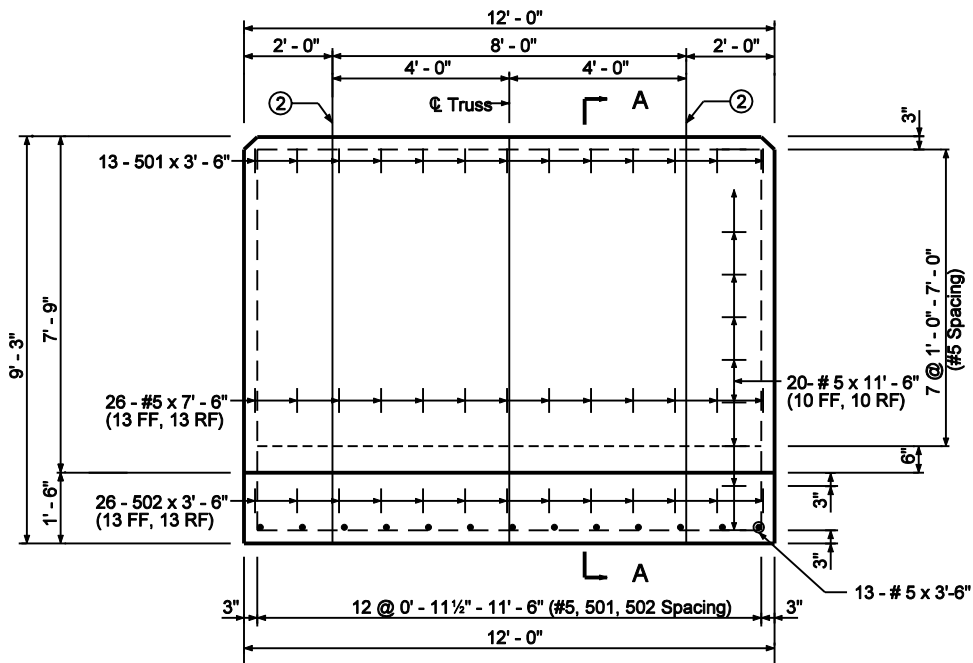
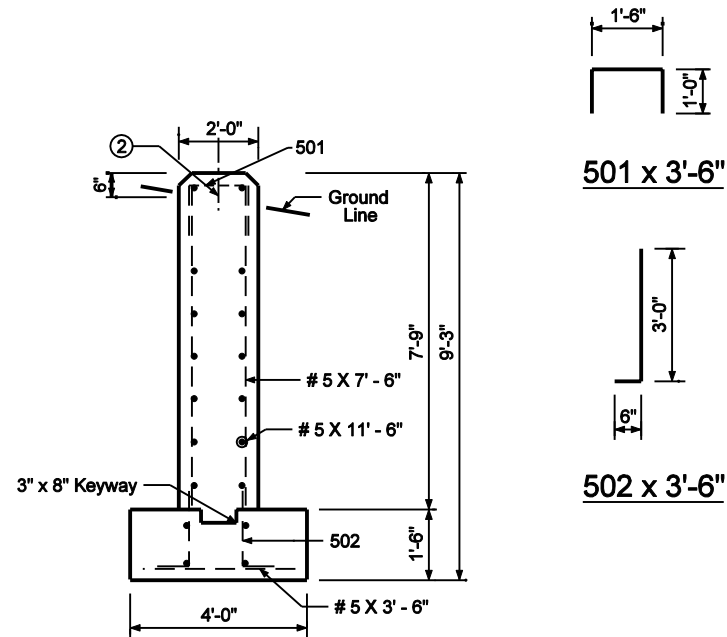


PLAN



ELEVATION



SECTION A-A

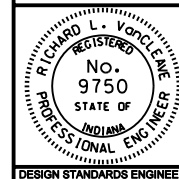
Notes:

1. For barrier wall width transition see Standard Drawing E 602-CCMB-03.

② \varnothing Anchor Bolt.

INDIANA DEPARTMENT OF TRANSPORTATION
**BOX TRUSS SIGN FOUNDATION
 FOR SHOULDER INSTALLATION**
 TYPE VI - C
 MARCH 2003

STANDARD DRAWING NO. E 802-SNBF-07



/s/ Richard L. VanCleave 3-03-03
 DESIGN STANDARDS ENGINEER DATE

/s/ Richard K. Smutzer 3-03-03
 CHIEF HIGHWAY ENGINEER DATE

DESIGN STANDARDS ENGINEER