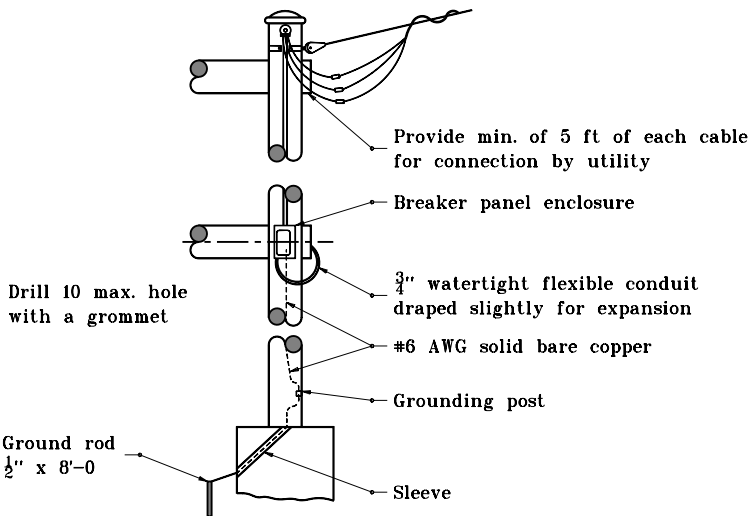
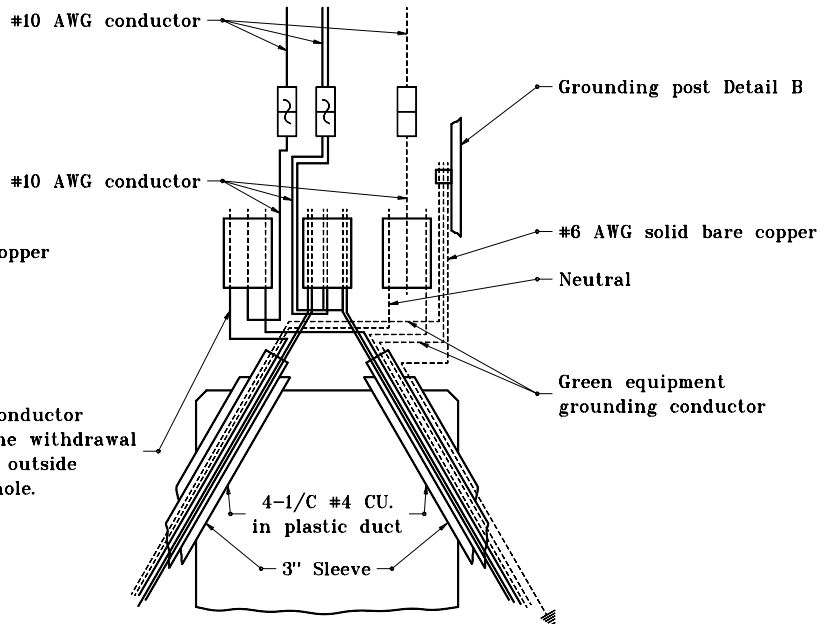


Allow sufficient conductor slack to permit the withdrawal of the connectors outside of the pole handhole.

**OVERHEAD SIGN SERVICE DETAIL
(UNDERGROUND CONNECTIONS)**



**OVERHEAD SIGN SERVICE DETAIL
(AERIAL CONNECTION)**

GENERAL NOTES

1. Breaker panel wiring to be used with bridge bracket sign illumination, or when lighting overhead sign is not part of a roadway lighting system.
2. Oxidation inhibitor shall be liberally applied to all surfaces that mate with a dissimilar material.

LEGEND

- Self insulated splicer (Insulating Link)
- Un-fused connector
- Fused connector
- Compression connector

INDIANA DEPARTMENT OF TRANSPORTATION	
SIGN WIRING DETAILS	
SEPTEMBER 2001	
STANDARD DRAWING NO. E 802-SNWR-01	
	/s/ Anthony L. Uremovich 9-04-01 DESIGN STANDARDS ENGINEER DATE
	/s/ Firooz Zandi 9-04-01 CHIEF HIGHWAY ENGINEER DATE
DESIGN STANDARDS ENGINEER	