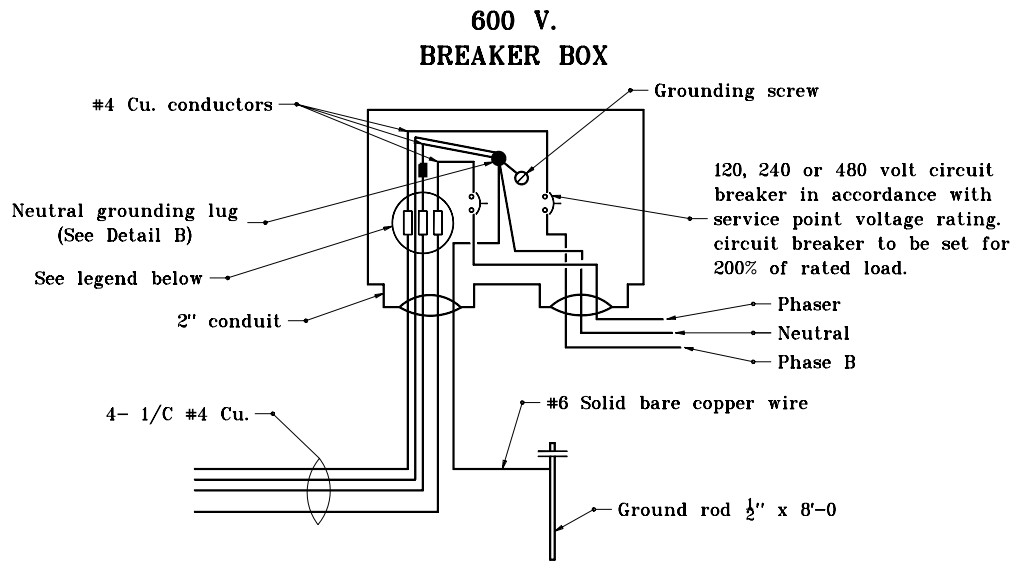
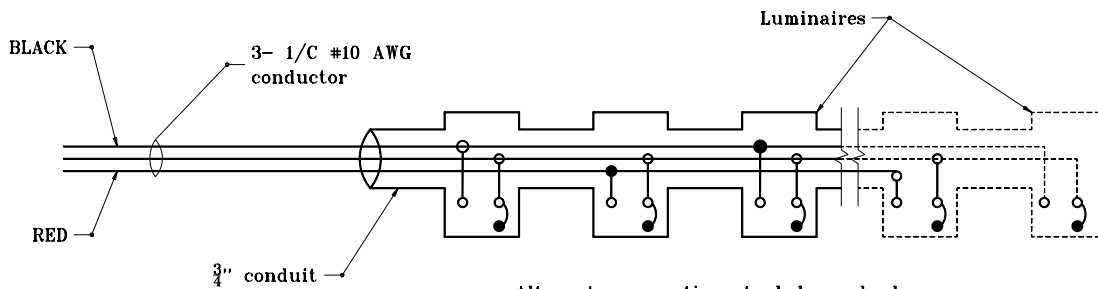


**NEUTRAL GROUND LUG DETAIL B**



**BREAKER BOX WIRING DETAIL**



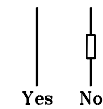
Alternate connections to balance load.  
(For connection to 120 V. or 240 V. phase to neutral)

**LUMINAIRE WIRING DETAIL**

**GENERAL NOTES**

1. Breaker panel wiring to be used with bridge bracket sign illumination, or when lighting overhead sign is not a roadway lighting system.
2. Oxidation inhibitor shall be liberally applied to all surfaces that mate with a dissimilar material.

**LEGEND**

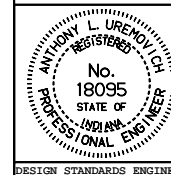


INDIANA DEPARTMENT OF TRANSPORTATION

**SIGN WIRING DETAILS**

SEPTEMBER 2001

STANDARD DRAWING NO. E 802-SNWR-02



/s/ Anthony L. Uremovich 9-04-01  
DESIGN STANDARDS ENGINEER DATE

/s/ Firooz Zandi 9-04-01  
CHIEF HIGHWAY ENGINEER DATE

DESIGN STANDARDS ENGINEER