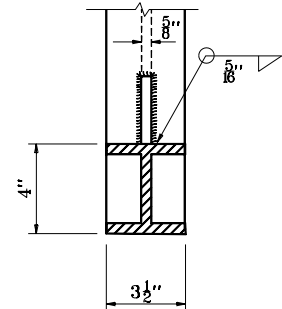
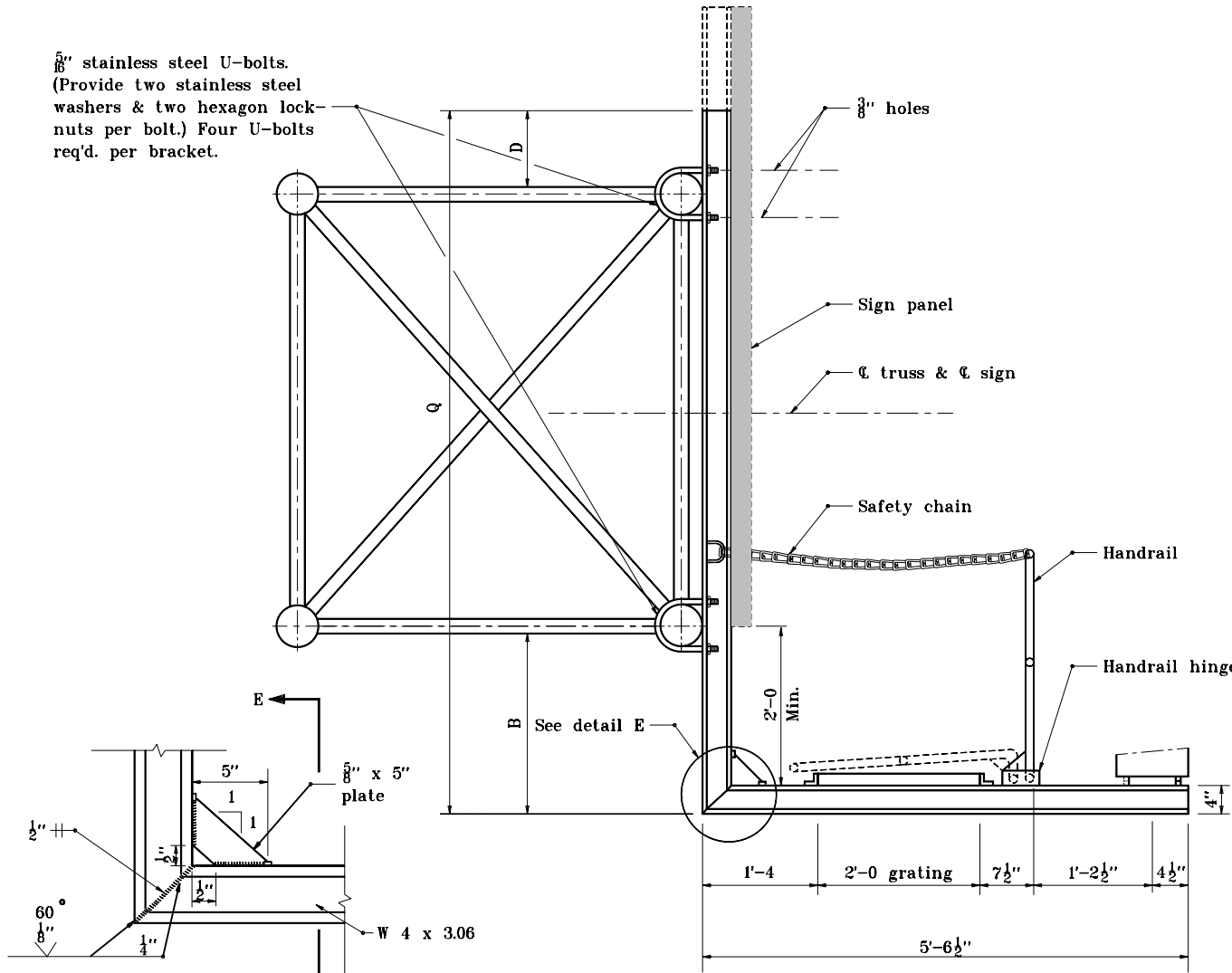


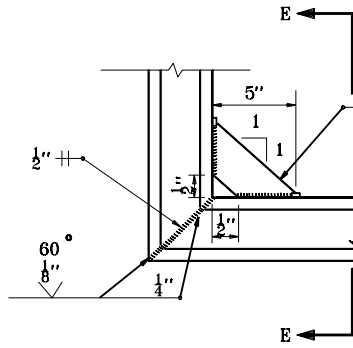
GENERAL NOTES

1. Dimensions B,D and Q to be determined by contractor to fit signs involved.
2. Sign panel shall be placed symmetrically about \angle truss.

$\frac{5}{8}$ " stainless steel U-bolts.
(Provide two stainless steel washers & two hexagon lock-nuts per bolt.) Four U-bolts req'd. per bracket.



SECTION E-E



DETAIL E

SECTION A-A

INDIANA DEPARTMENT OF TRANSPORTATION	
SIGN TRUSS DETAILS	
SEPTEMBER 2001	
STANDARD DRAWING NO.E 802-SNWW-03	
	/s/ Anthony L. Uremovich 9-04-01 DESIGN STANDARDS ENGINEER DATE
	/s/ Firooz Zandi 9-04-01 CHIEF HIGHWAY ENGINEER DATE
DESIGN STANDARDS ENGINEER	