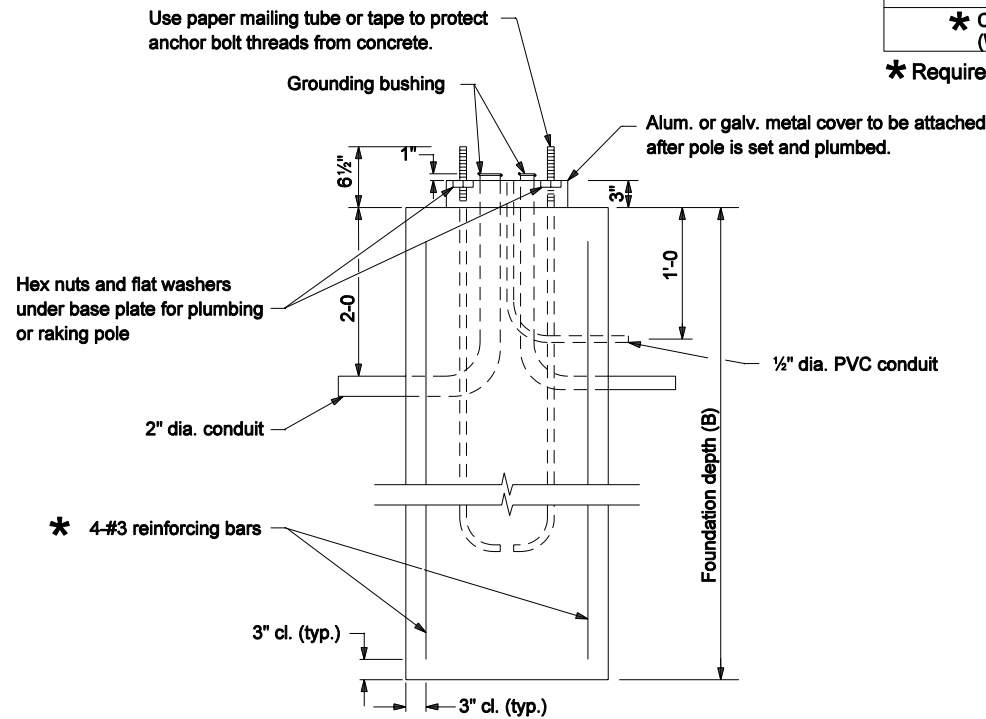


**GENERAL NOTES**

1. Top 6" of foundation may be squared.
- ② A round foundation may be supplied in lieu of square using the following equivalent (A) dimensions:  
2'-6 Square = 3'-0 Round  
3'-0 Square = 3'-6 Round
- ③ See Base Plate Detail on Standard Drawing E 805-SGMA-05.
- ④ See Standard Drawing E 805-SGMA-05 for Detail D.

SIGNAL CANTILEVER FOUNDATION DIMENSIONS		
ARM LENGTH (L), ft	SQUARE (A)	FDN. DEPTH (B)
12, 15, 20, 25	2'-6	7 ft
* 30, 35, 40	3'-0	8 ft
All Twin Arms		
* Combination Pole (With Luminaire)	3'-0	8 ft

\* Requires 4-#3 x 7'-9 as shown on foundation detail.



INDIANA DEPARTMENT OF TRANSPORTATION	
<b>SIGNAL CANTILEVER FOUNDATION DETAIL</b>	
SEPTEMBER 2006	
STANDARD DRAWING NO. E 805-SGMA-03	
	/s/ Richard L. VanCleave     9-01-06 DESIGN STANDARDS ENGINEER     DATE
	/s/ Richard K. Smutzer     9-01-06 CHIEF HIGHWAY ENGINEER     DATE
DESIGN STANDARDS ENGINEER	