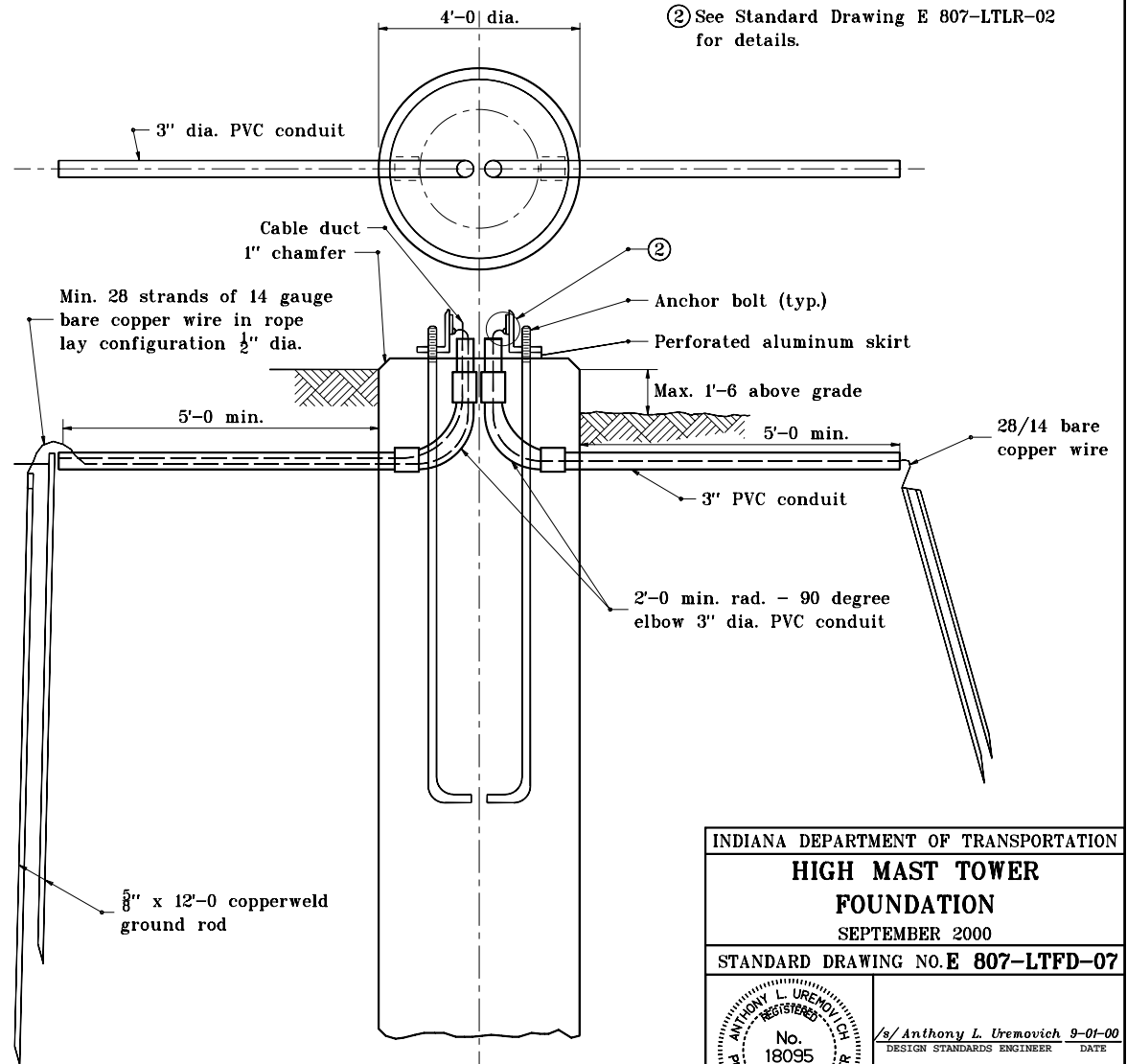
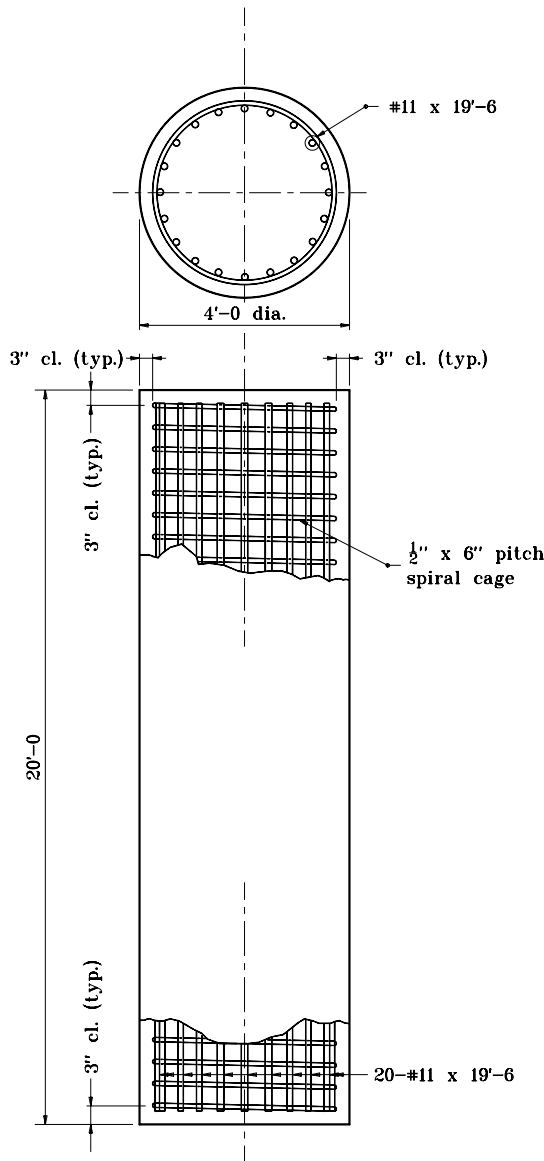


**GENERAL NOTES**

1. Each foundation shall have an imprinted arrow or arrows on the top of the foundation to indicate the direction of the cable duct run.

② See Standard Drawing E 807-LTLR-02 for details.

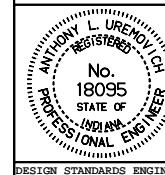


INDIANA DEPARTMENT OF TRANSPORTATION

**HIGH MAST TOWER  
FOUNDATION**

SEPTEMBER 2000

STANDARD DRAWING NO. E 807-LTFD-07



/s/ Anthony L. Uremovich 9-01-00  
DESIGN STANDARDS ENGINEER DATE

/s/ Firooz Zandi 9-01-00  
CHIEF HIGHWAY ENGINEER DATE

DESIGN STANDARDS ENGINEER