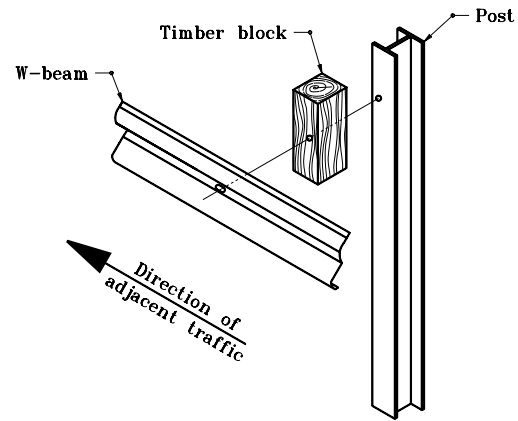


**W-BEAM SPLICE CONNECTION
DETAIL AT POST**



**W-BEAM SPLICE CONNECTION DETAIL
AT POST FOR NON-SPLICE CONNECTIONS**

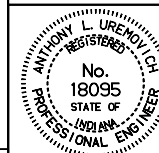
All dimensions are in mm unless otherwise specified.

INDIANA DEPARTMENT OF TRANSPORTATION

**W-BEAM
GUARDRAIL ASSEMBLIES**

SEPTEMBER 1998

STANDARD DRAWING NO. **601-WBGA-03**



/s/ Anthony L. Uremovich 9-01-98
DESIGN STANDARDS ENGINEER DATE

/s/ Donald W. Lucas 9-01-98
CHIEF HIGHWAY ENGINEER DATE

Source Sheet: **G-3**

DESIGN STANDARDS ENGINEER