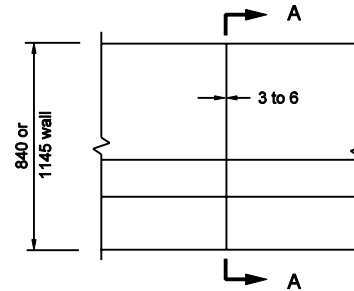
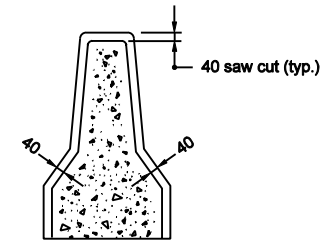


**JOINT A**

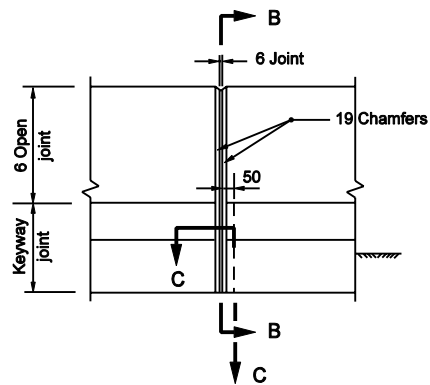


**JOINT B**

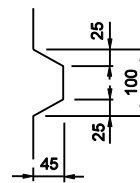


**SECTION A-A**

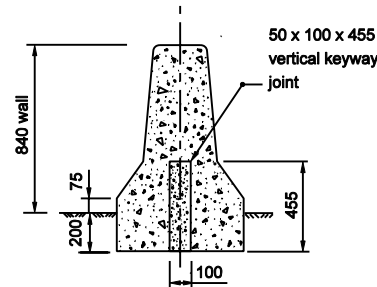
**FORMED IN PLACE OR SLIP FORMED JOINTS**



**JOINT C**



**SECTION C-C**



**SECTION B-B**

**PRECAST JOINT**

**NOTES :**

1. See Standard Drawing 602-CCMB-01 for joint placement.

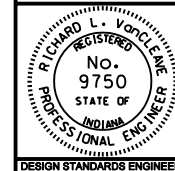
All Dimension are in mm unless otherwise specified

INDIANA DEPARTMENT OF TRANSPORTATION

**CONCRETE BARRIER JOINT**

MARCH 2003

STANDARD DRAWING NO. 602-CCMB-02



/s/ Richard L. VanCleave 3-03-03  
DESIGN STANDARDS ENGINEER DATE

/s/ Richard K. Smutzer 3-03-03  
CHIEF HIGHWAY ENGINEER DATE

DESIGN STANDARDS ENGINEER