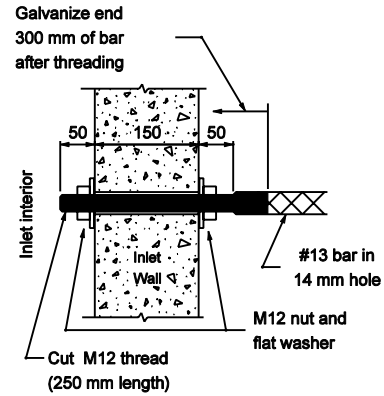


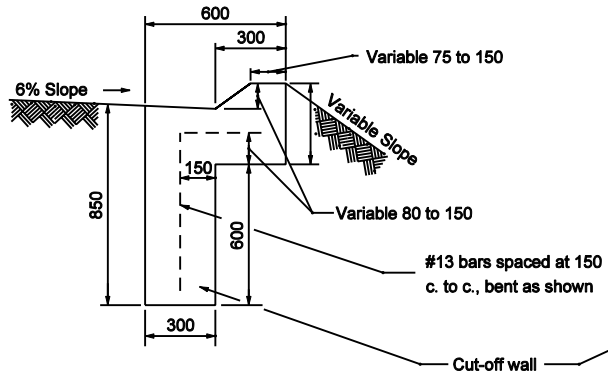
DETAIL A



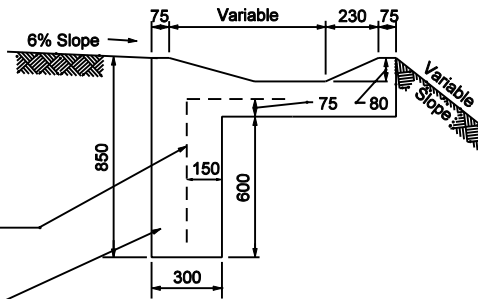
DETAIL B

GENERAL NOTES

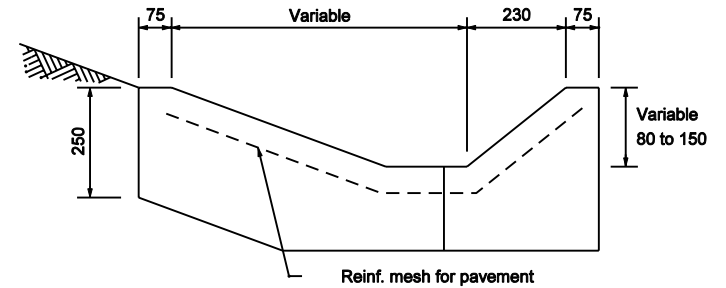
1. For location of details and sections see Standard Drawing 605-GTRC-03.



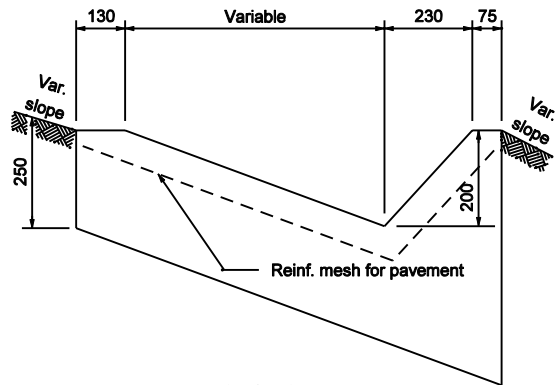
SECTION A-A



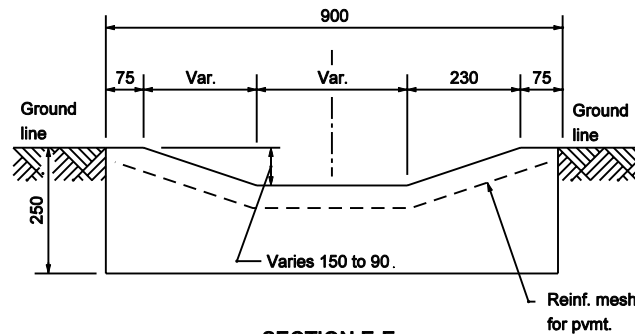
SECTION B-B



SECTION C-C



SECTION D-D



SECTION E-E

All Dimension are in mm unless otherwise specified

INDIANA DEPARTMENT OF TRANSPORTATION

REINFORCED CONCRETE GUTTER TURNOUT

MARCH 2003

STANDARD DRAWING NO. 605-GTRC-01

	/s/ Richard L. VanCleave	3-03-03
	DESIGN STANDARDS ENGINEER	DATE
	/s/ Richard K. Smutzer	3-03-03
	CHIEF HIGHWAY ENGINEER	DATE

DESIGN STANDARDS ENGINEER