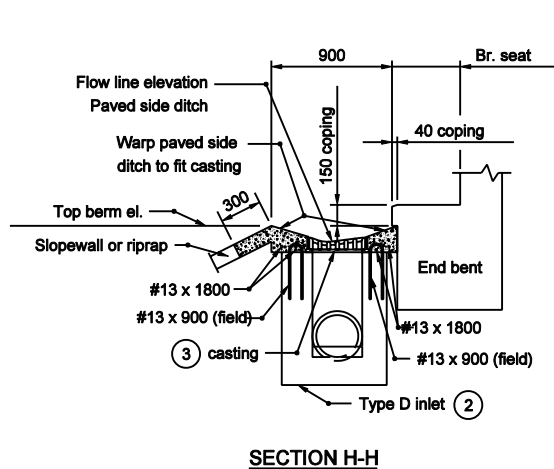
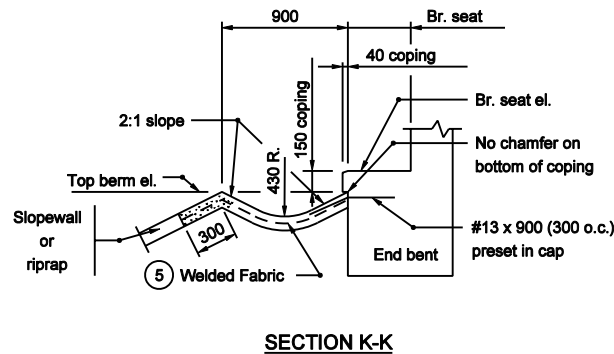


PLAN
(to be used on structures with berms)



SECTION H-H

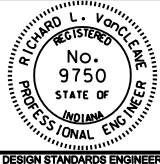


SECTION K-K

NOTES

1. Precast concrete riprap may be used as an alternate to concrete sloped wall only on those structures having berms adjacent to caps.
2. For additional details of type D inlet, see Standard Drawing 720-INST-03.
3. For appropriate casting, see Standard Drawing 720-CDSC-01.
4. Welded fabric shall be placed within the middle third of sloped wall thickness and shall extend through all construction joints.
5. WWF 6" x 6", W3 x W3 at 42 lb/100 sq. ft., or equivalent; or standard pavement fabric reinforcing of 42 lb/100 sq. ft minimum. This is an English gauge designation. There is no metric gauge equivalent in the welded wire fabric industry. Wire furnished in flat sheets unless otherwise specified.

All Dimension are in mm unless otherwise specified

INDIANA DEPARTMENT OF TRANSPORTATION	
SLOPEWALL AND DRAINAGE DETAILS	
SEPTEMBER 2003	
STANDARD DRAWING NO. 616-SWCO-07	
	/s/ Richard L. VanCleave 9-02-03 DESIGN STANDARDS ENGINEER DATE
	/s/ Richard K. Smutzer 9-02-03 CHIEF HIGHWAY ENGINEER DATE
DESIGN STANDARDS ENGINEER	