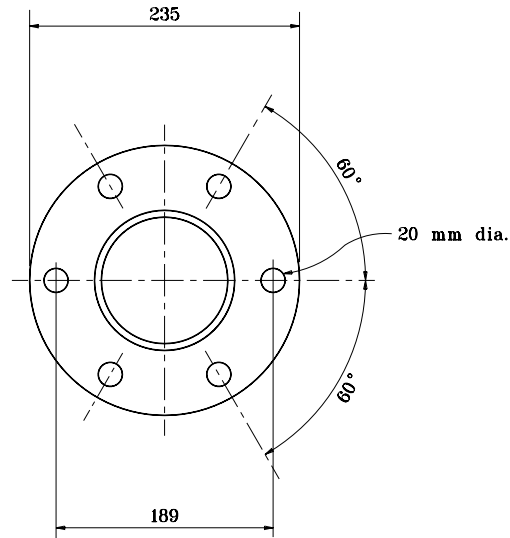
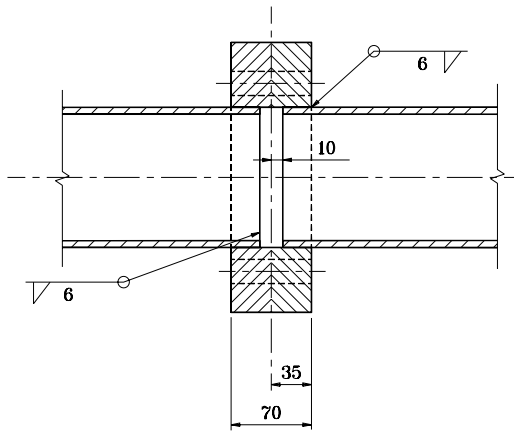


GENERAL NOTES

1. Flanges shall be given additional finish if necessary to ensure contact between plates.



SPLICE DETAIL

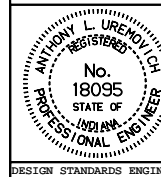
All dimensions are in mm unless otherwise specified.

INDIANA DEPARTMENT OF TRANSPORTATION

**ALUMINUM STRUCTURE
SPLICE DETAIL**

SEPTEMBER 2001

STANDARD DRAWING NO. 802-SNOH-11



/s/ Anthony L. Uremovich 9-04-01
DESIGN STANDARDS ENGINEER DATE

/s/ Firooz Zandi 9-04-01
CHIEF HIGHWAY ENGINEER DATE

DESIGN STANDARDS ENGINEER