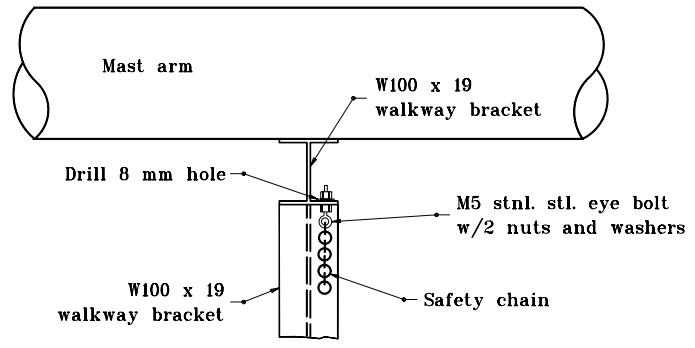


**DETAIL A**



**DETAIL B**

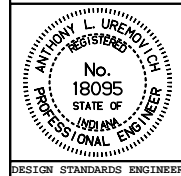
All dimensions are in mm unless otherwise specified.

INDIANA DEPARTMENT OF TRANSPORTATION

**SIGN WALKWAY DETAILS**

SEPTEMBER 2001

STANDARD DRAWING NO. 802-SNWW-08



/s/ Anthony L. Uremovich 9-04-01  
DESIGN STANDARDS ENGINEER DATE

/s/ Firooz Zandi 9-04-01  
CHIEF HIGHWAY ENGINEER DATE

DESIGN STANDARDS ENGINEER