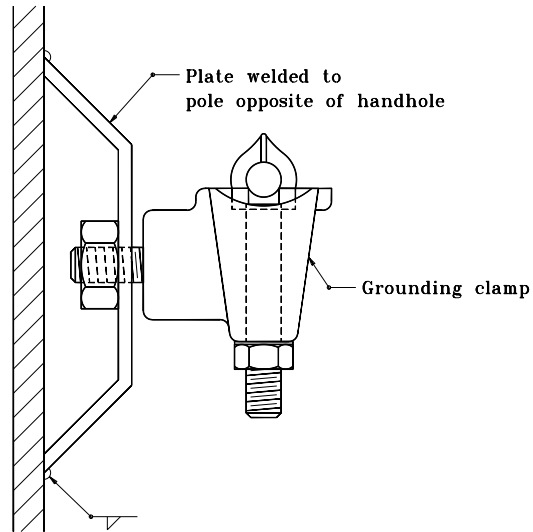
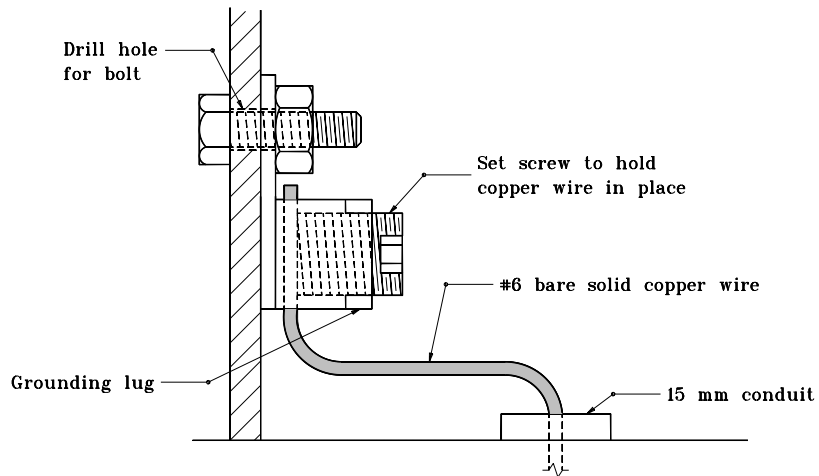


ALUMINUM POLES

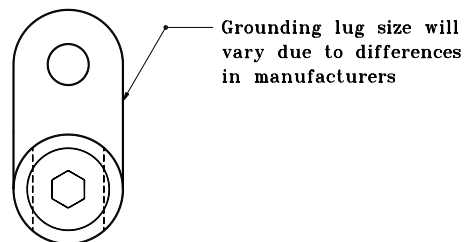


STEEL POLES

GROUNDING POST DETAIL



**GROUNDING LUG DETAIL
(FIELD CONNECTION)**



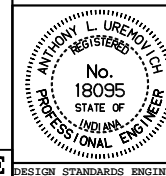
All dimensions are in mm unless otherwise specified.

INDIANA DEPARTMENT OF TRANSPORTATION

GROUNDING DETAILS

MARCH 1995

STANDARD DRAWING NO. 805-SGGR-03



/s/ Anthony L. Uremovich 3-01-95
DESIGN STANDARDS ENGINEER DATE

/s/ Donald W. Lucas 3-01-95
CHIEF HIGHWAY ENGINEER DATE

Source Sheet: NONE