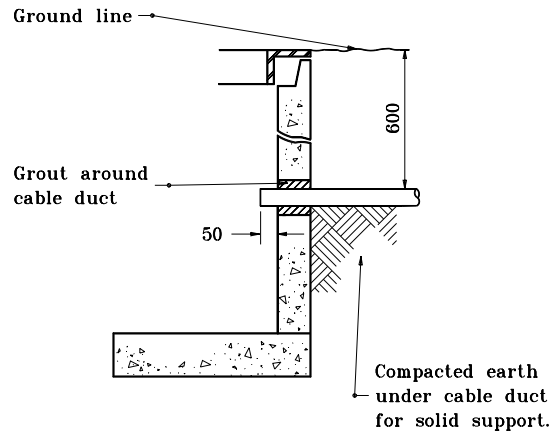


**STREET & ALLEY TYPE  
HANDHOLE**

\* 100 min. for  
alternate handhole

**GENERAL NOTES**

1. Alternate handhole minimum size shall be 430 x 760 x 560 depth with 50 mm lid thickness.
2. Approximate weight for cast iron ring and cover shall be 145 kg.



**CABLE DUCT ENTERING  
HANDHOLE**

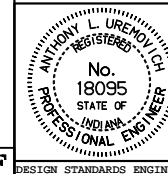
All dimensions are in mm unless otherwise specified.

INDIANA DEPARTMENT OF TRANSPORTATION

**LIGHT HANDHOLE DETAILS**

MARCH 1995

STANDARD DRAWING NO. 807-LTHH-01



/s/ Anthony L. Uremovich 3-01-95  
DESIGN STANDARDS ENGINEER DATE

/s/ Donald W. Lucas 3-01-95  
CHIEF HIGHWAY ENGINEER DATE

Source Sheet: MT6F