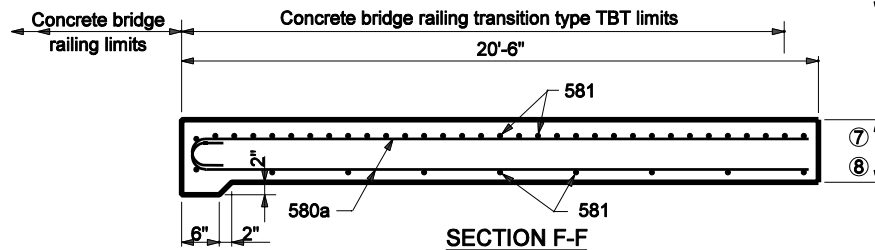
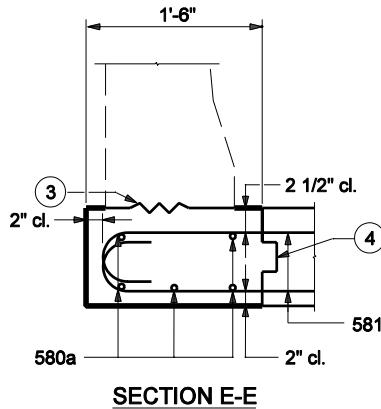


PLAN



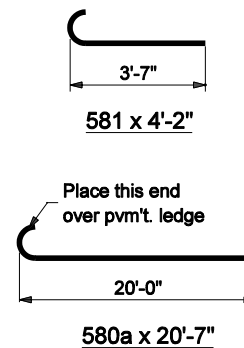
SECTION F-F



SECTION E-E

BILL OF MATERIALS			
These quantities are for one side Approach Slab Extension.			
EPOXY COATED REINFORCING STEEL			
Size & Mark	No. of Bars	Length (ft.)	Weight (lb)
580a	5	20'-9"	
581	52	4'-2"	
Total #5 Bars			334
Total Epoxy Coated Steel			334
MISCELLANEOUS			
R.C. Br. Appr., 10"			3.4 yd <sup>2</sup>

APPROACH SLAB EXTENSION DETAILS



NOTES:

1. See Standard Drawing E 706-TTBT-01 through -03 for concrete bridge railing transition type TBT details.
2. See Standard Drawing E 706-TASE-05 for General Notes.

INDIANA DEPARTMENT OF TRANSPORTATION	
<b>BRIDGE RAILING TRANSITION TBT SLAB EXTENSION</b>	
SEPTEMBER 2006	
STANDARD DRAWING NO. E 706-TASE-02	
	/s/ Richard L. VanCleave    9-01-06 DESIGN STANDARDS ENGINEER    DATE
	/s/ Richard K. Smutzer    9-01-06 CHIEF HIGHWAY ENGINEER    DATE
DESIGN STANDARDS ENGINEER	