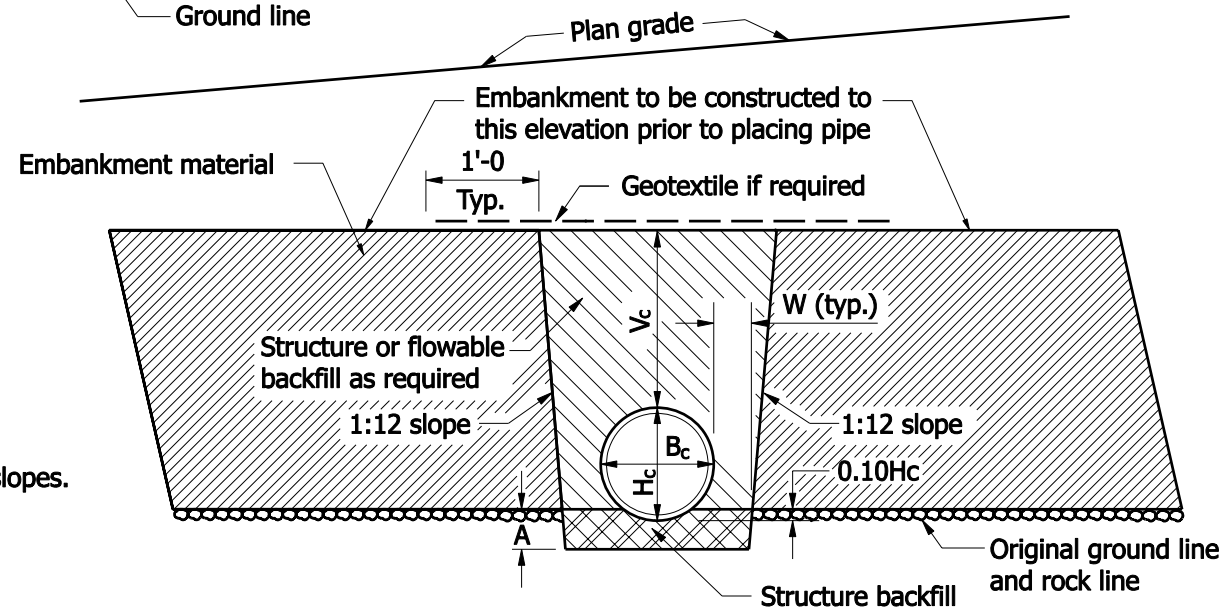


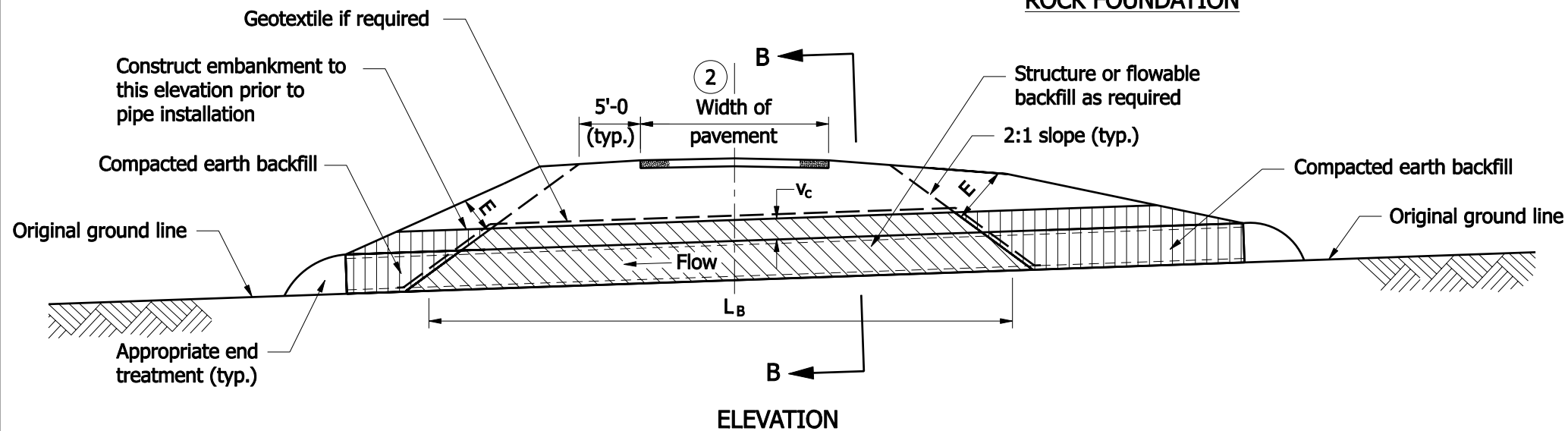
SECTION B-B

**LEGEND**

- $H_c$  = Overall diameter or rise (typ.)
- $B_c$  = Overall diameter or span
- $A$  = 8" min. for fill height less than 16'  
= 12" min. for fill height of 16' or more
- $V_c$  = 12" for  $B_c \leq 18"$   
18" for  $B_c > 18"$
- $W$  =  $0.3 B_c$  or 9", whichever is greater
- $L_B$  = Backfill length measured from toe to toe of the 2:1 slopes.



SECTION B-B  
ROCK FOUNDATION



ELEVATION

**NOTES :**

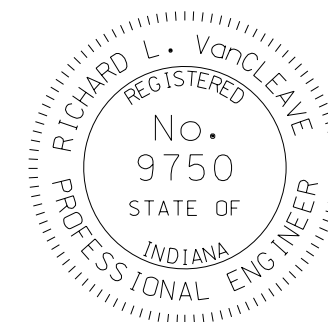
1. Protective cover shall be constructed prior to running heavy equipment over installed pipes. The minimum covers are listed below:
  - a.) 1.5' for  $B_c \leq 18"$
  - b.) 3' for  $18" < B_c \leq 54"$
  - c.) 4' for  $B_c > 54"$
2. For backfill purposes, paved shoulders, curbs, and sidewalks are considered pavement. See Standard Drawing E 715-BKFL-10 for pavement limits when curbs, paved shoulders, or sidewalks are present.
3. Flowable or structure backfill shall be encased by compacted earth backfill. The minimum encasement shall be 2 ft. If necessary, the 2:1 slope between the flowable or structure backfill and the encasement shall be modified to maintain the minimum 2 ft encasement.

INDIANA DEPARTMENT OF TRANSPORTATION

PIPE BACKFILL METHOD 1  
NEW ROADWAY, EMBANKMENT

SEPTEMBER 2008

STANDARD DRAWING NO. E 715-BKFL-02



DESIGN STANDARDS ENGINEER

/s/ Richard L. VanCleave 09/02/08  
DESIGN STANDARDS ENGINEER DATE

/s/ Mark A. Miller 09/02/08  
CHIEF HIGHWAY ENGINEER DATE