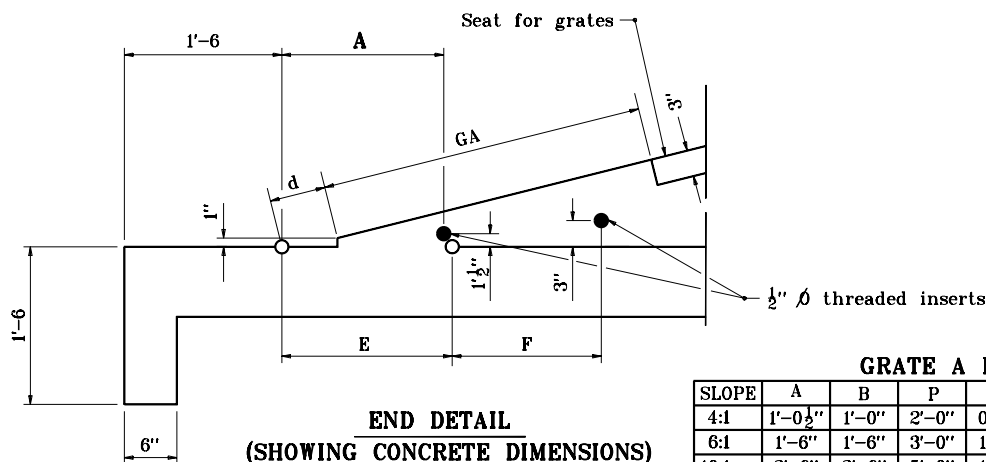
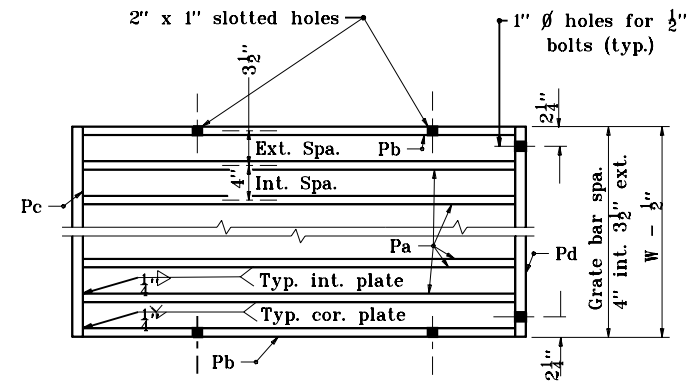


**GRATE B & C**



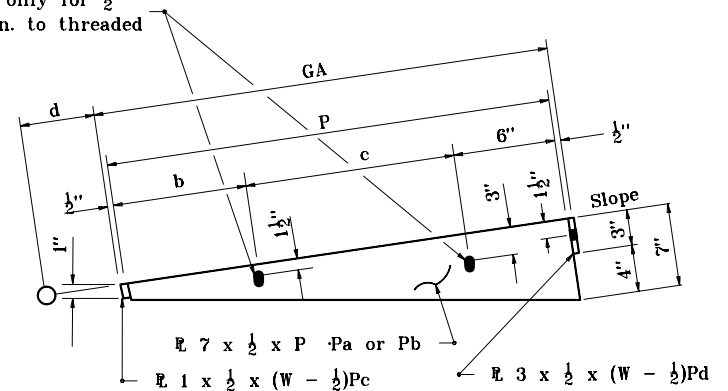
**GRATE A DIMENSIONS TABLE**

SLOPE	A	B	P	b	c	d	E	F	G
4:1	1'-0 $\frac{1}{2}$ "	1'-0"	2'-0"	0'-8"	0'-10"	4"	1'-0 $\frac{1}{2}$ "	0'-10"	2'-1"
6:1	1'-6"	1'-6"	3'-0"	1'-0"	1'-6"	6"	1'-6 $\frac{1}{2}$ "	1'-6"	3'-1"
10:1	2'-6"	2'-6"	5'-0"	1'-8"	2'-10"	10"	2'-6 $\frac{1}{2}$ "	2'-10"	5'-1"



**PLAN VIEW**

1" x 2" slotted hole in R, Pb only for  $\frac{1}{2}$ " bolt conn. to threaded inserts.



**ELEVATION  
GRATE A**

INDIANA DEPARTMENT OF TRANSPORTATION  
**GRATED BOX END SECTION  
 TYPE II**  
 JANUARY 1999

STANDARD DRAWING NO. E 715-GBTT-04

	DETAILS PLACED IN THIS FORMAT	11-15-99
	/s/ Anthony L. Uremovich 11-15-99 DESIGN STANDARDS ENGINEER DATE	
	/s/ Firooz Zandi 11-15-99 CHIEF HIGHWAY ENGINEER DATE	
DESIGN STANDARDS ENGINEER	ORIGINALLY APPROVED	1-04-99