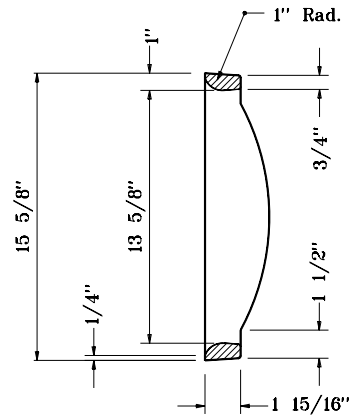
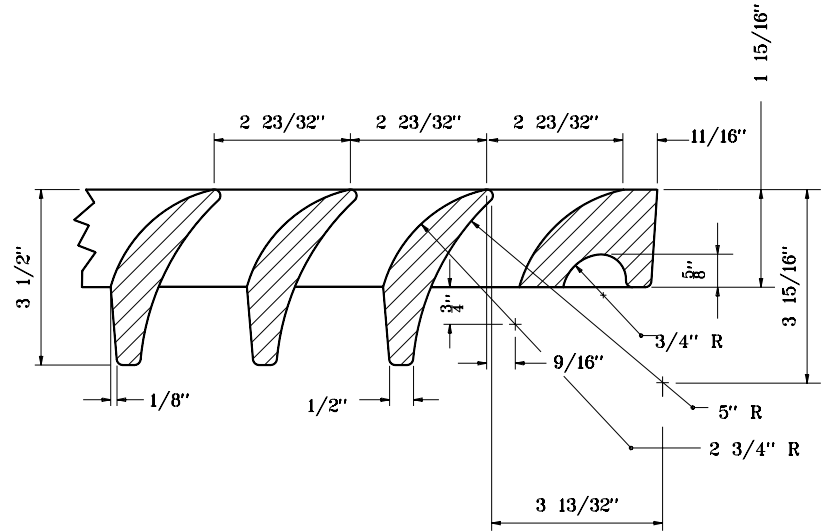


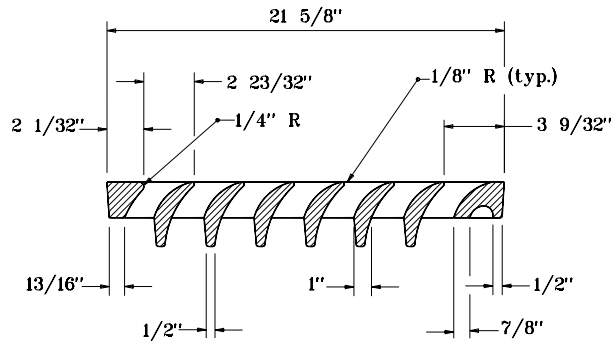
PLAN



SECTION B-B



DETAIL OF SECTION A-A  
GRATE  
CASTING TYPE 8



SECTION A-A

INDIANA DEPARTMENT OF TRANSPORTATION

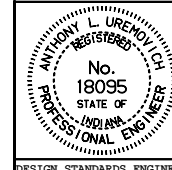
**CASTING TYPE 8**

**GRATE**

SEPTEMBER 1998

STANDARD DRAWING NO. E 720-ICCA-05

DETAILS PLACED IN THIS FORMAT 11-15-99



/s/ Anthony L. Uremovich 11-15-99  
DESIGN STANDARDS ENGINEER DATE

/s/ Firooz Zandi 11-15-99  
CHIEF HIGHWAY ENGINEER DATE

DESIGN STANDARDS ENGINEER

ORIGINALLY APPROVED 9-01-98