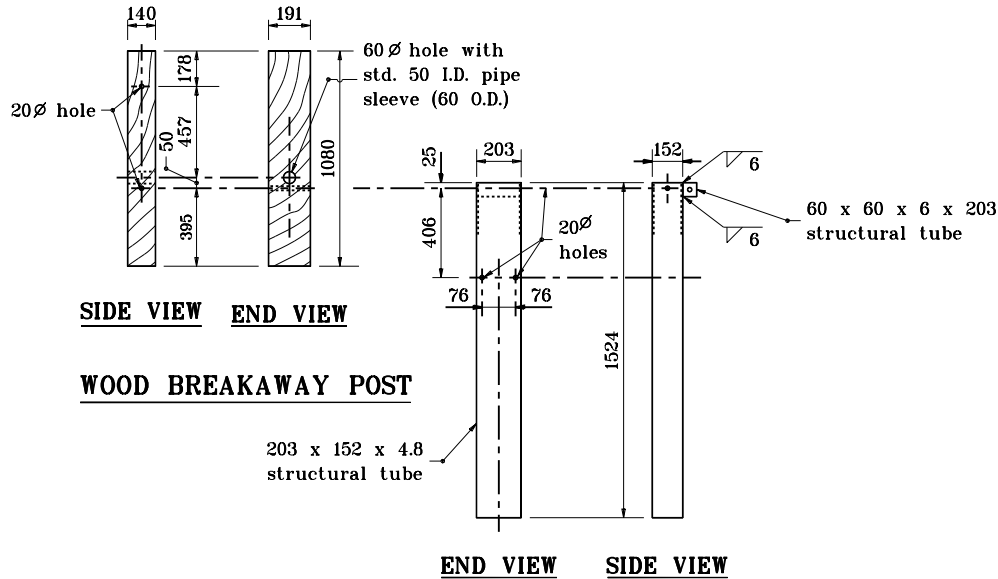


GENERAL NOTES

1. This sheet shall be used in conjunction with Standard Drawings 601-CWGS-01 through 04 when a curved W-beam guardrail system is specified.
2. The details on this sheet are for the standard components of the curved W-beam guardrail systems.
3. The 60 x 60 structural tube shall only be welded to Post B.



TOP VIEW

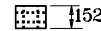


SIDE VIEW END VIEW

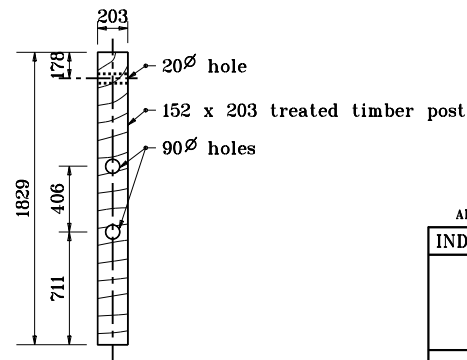
WOOD BREAKAWAY POST

203 x 152 x 4.8 structural tube

END VIEW SIDE VIEW



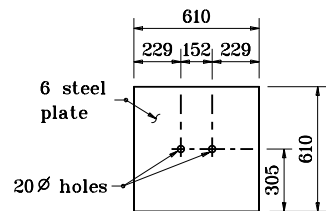
TOP VIEW



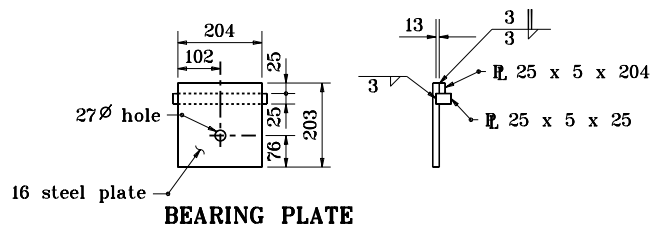
SIDE VIEW

CRT POST

STEEL TUBE



SOIL PLATE



BEARING PLATE

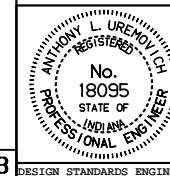
All dimensions are in mm unless otherwise specified.

INDIANA DEPARTMENT OF TRANSPORTATION

**CURVED W-BEAM
GUARDRAIL SYSTEM**

APRIL 1995

STANDARD DRAWING NO. **601-CWGS-06**



/s/ Anthony L. Uremovich 4-03-95
DESIGN STANDARDS ENGINEER DATE

/s/ Donald W. Lucas 4-03-95
CHIEF HIGHWAY ENGINEER DATE

Source Sheet: **E-4B**