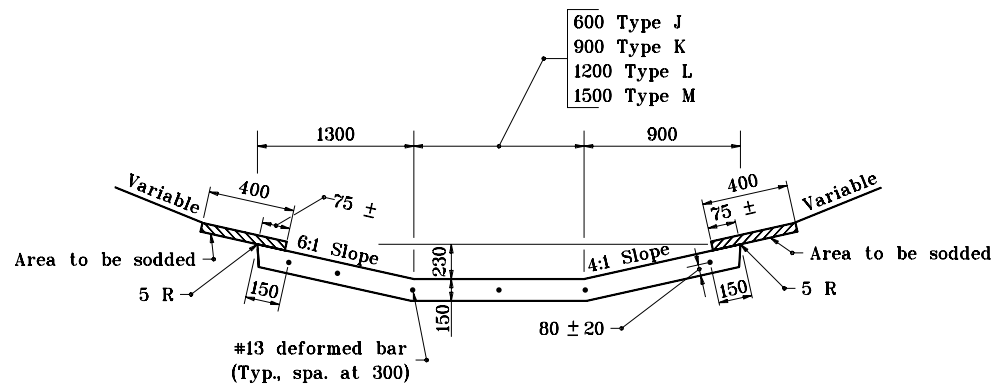


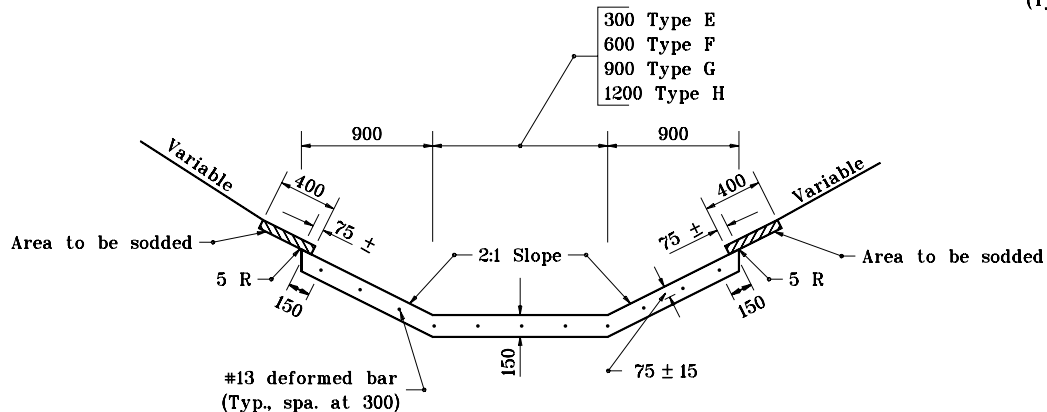
ELEVATION VIEW

PAVED SIDE DITCH TYPES A THROUGH D



ELEVATION VIEW

PAVED SIDE DITCH TYPES J THROUGH M



ELEVATION VIEW

PAVED SIDE DITCH TYPES E THROUGH H

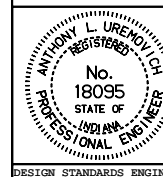
All dimensions are in mm unless otherwise specified.

INDIANA DEPARTMENT OF TRANSPORTATION

**PAVED SIDE DITCH
ELEVATIONS**

SEPTEMBER 2000

STANDARD DRAWING NO. 607-PSDT-01



/s/ Anthony L. Uremovich 9-01-00
DESIGN STANDARDS ENGINEER DATE

/s/ Firooz Zandi 9-01-00
CHIEF HIGHWAY ENGINEER DATE

DESIGN STANDARDS ENGINEER