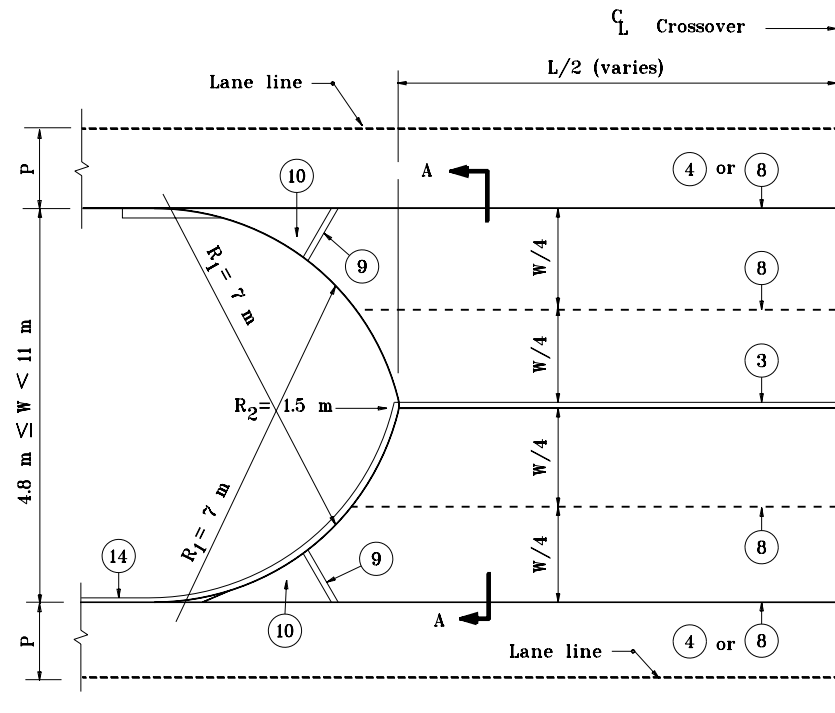
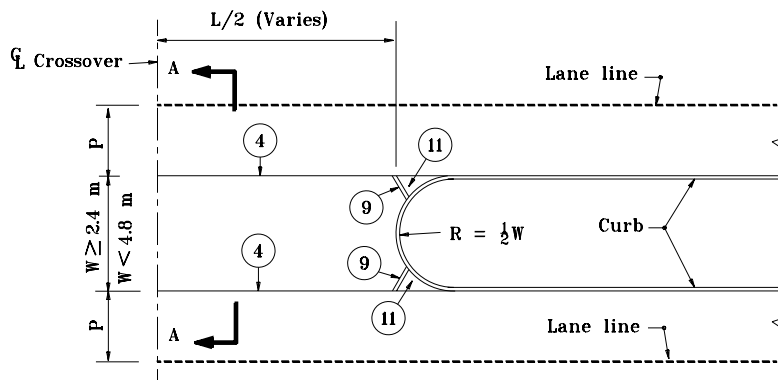


**CROSSOVER PLAN FOR MEDIAN WIDTH OF
11 m OR GREATER BUT LESS THAN 18 m**



**CROSSOVER PLAN FOR MEDIAN WIDTH OF
4.8 m OR GREATER BUT LESS THAN 11 m**



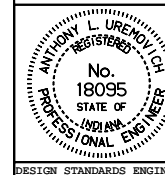
**CROSSOVER PLAN FOR MEDIAN WIDTH OF
2.4 m OR GREATER BUT LESS THAN 4.8 m**

NOTES :

1. For median width W of 18 m or greater, R = 9.1 m.
2. For median width W of less than 2.4 m, L = 30 m min.
3. See Standard Drawing 610-PRCO-01 for Legend and Section A-A.
- ⑧ Use construction joint in place of keyway joint if W is 9.6 m or more.

All dimensions are in mm unless otherwise specified.
INDIANA DEPARTMENT OF TRANSPORTATION
PUBLIC ROAD CROSSOVER
PLANS
 MAY 2000

STANDARD DRAWING NO. **610-PRCO-01A**



/s/ Anthony L. Uremovich 5-01-00
 DESIGN STANDARDS ENGINEER DATE

/s/ Feroz Zandi 5-01-00
 CHIEF HIGHWAY ENGINEER DATE

DESIGN STANDARDS ENGINEER