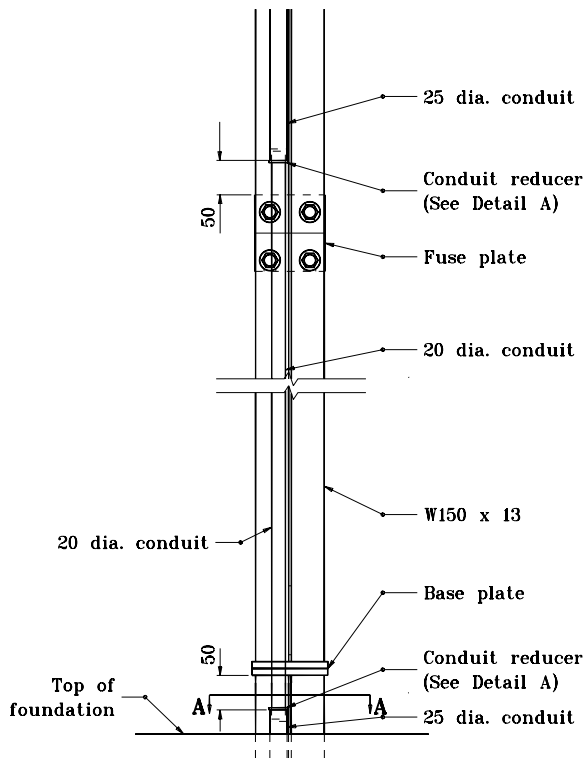
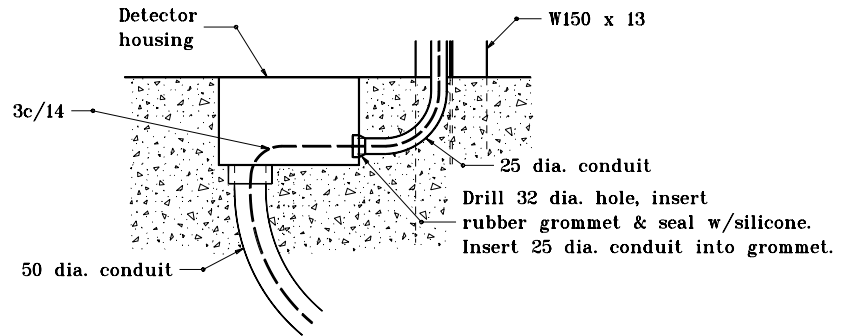


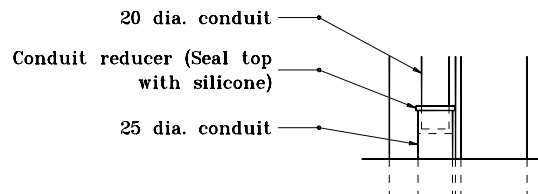
**SECTION A-A**



**CONDUIT DETAIL**



**DETECTOR HOUSING DETAIL**



**DETAIL A  
(INVERT FOR TOP CONDUIT JOINT)**

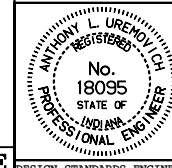
All dimensions are in mm unless otherwise specified.

INDIANA DEPARTMENT OF TRANSPORTATION

**FLASHING BEACON WITH  
WARNING SIGN DETAILS**

SEPTEMBER 1998

STANDARD DRAWING NO. 805-SGFB-01A



/s/ Anthony L. Uremovich 9-01-98  
DESIGN STANDARDS ENGINEER DATE

/s/ Donald W. Lucas 9-01-98  
CHIEF HIGHWAY ENGINEER DATE

Source Sheet: NONE