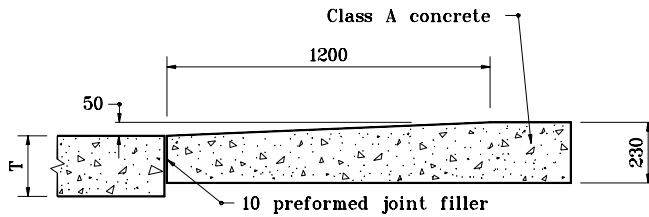


GENERAL NOTES

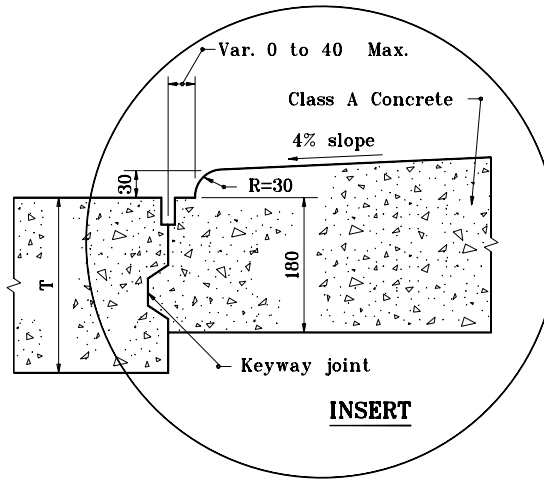
- ① For W greater than 1200 vary slope to hold 50 maximum height.

LEGEND

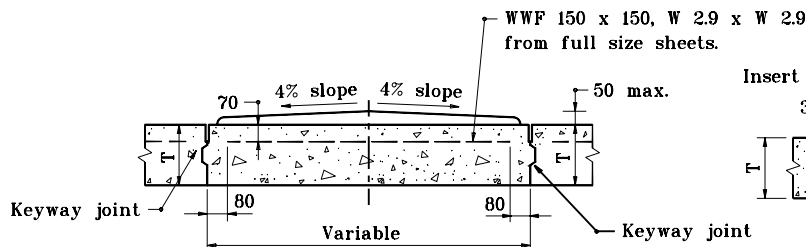
- T = Normal pavement depth
- W = Center curb width



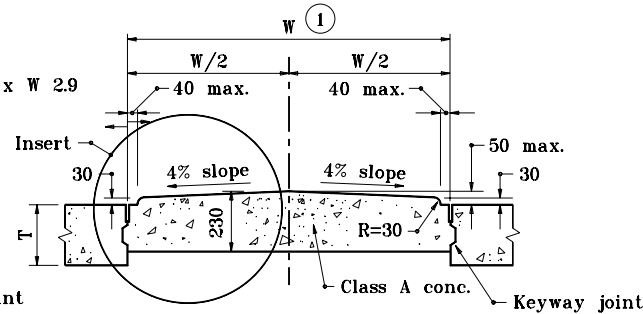
SECTION F-F



INSERT



SECTION G-G



SECTION H-H

INDIANA DEPARTMENT OF TRANSPORTATION	
CONCRETE CENTER CURB	
TYPE A	
JANUARY 2001	
STANDARD DRAWING NO. 605-CNCC-01	
	/s/ Anthony L. Uremovich 1-02-01 DESIGN STANDARDS ENGINEER DATE
	/s/ Firooz Zandi 1-02-01 CHIEF HIGHWAY ENGINEER DATE
DESIGN STANDARDS ENGINEER	