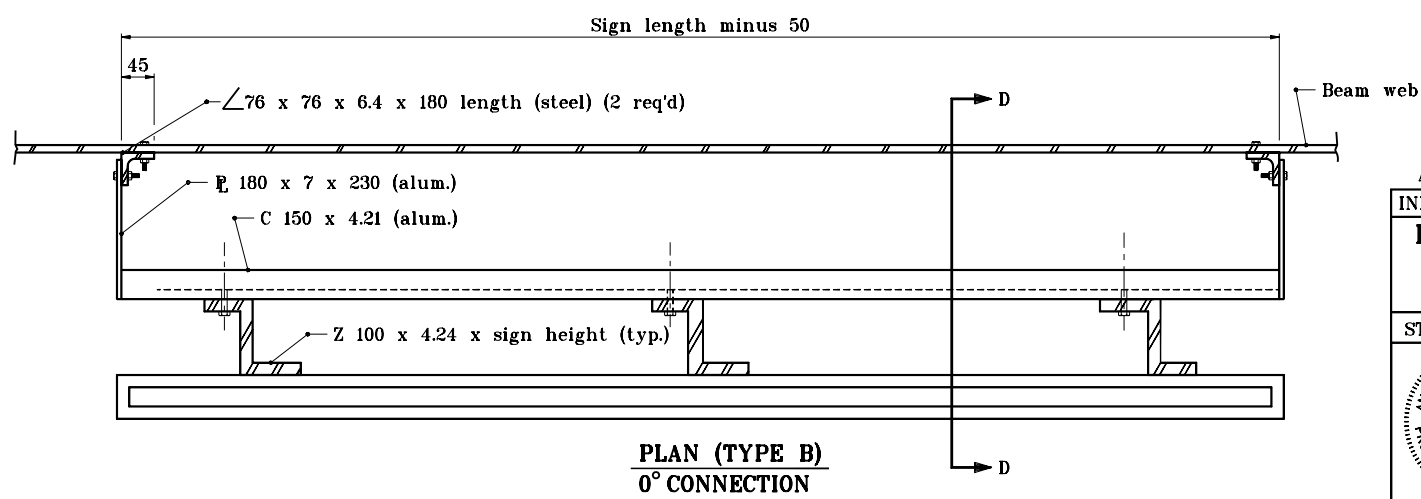


**SECTION D-D**



**PLAN (TYPE B)  
0° CONNECTION**

All dimensions are in mm unless otherwise specified.

INDIANA DEPARTMENT OF TRANSPORTATION	
<b>BRIDGE BRACKET ASSY. FOR CROSS-ROAD SIGNING</b>	
SEPTEMBER 2001	
STANDARD DRAWING NO. 802-SNBB-03	
	/s/ Anthony L. Uremovich 9-04-01 DESIGN STANDARDS ENGINEER DATE
	/s/ Firooz Zandi 9-04-01 CHIEF HIGHWAY ENGINEER DATE