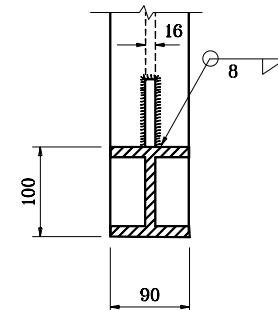
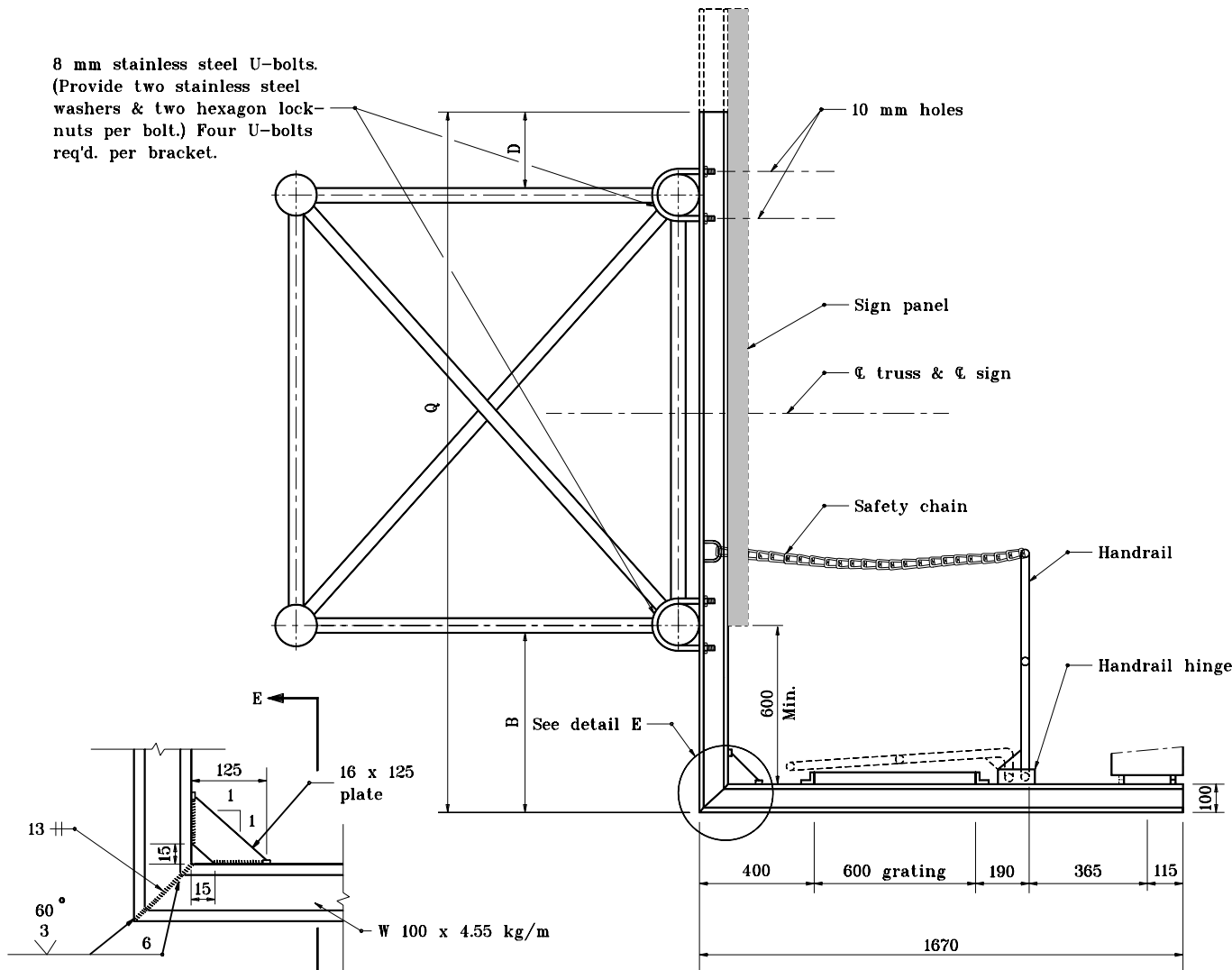


GENERAL NOTES

1. Dimensions B,D and Q to be determined by contractor to fit signs involved.
2. Sign panel shall be placed symmetrically about \bar{C} truss.

8 mm stainless steel U-bolts.
(Provide two stainless steel washers & two hexagon lock-nuts per bolt.) Four U-bolts req'd. per bracket.

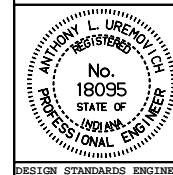


All dimensions are in mm unless otherwise specified.
INDIANA DEPARTMENT OF TRANSPORTATION

SIGN TRUSS DETAILS

SEPTEMBER 2001

STANDARD DRAWING NO. 802-SNWW-03



/s/ Anthony L. Uremovich 9-04-01
DESIGN STANDARDS ENGINEER DATE

/s/ Firooz Zandi 9-04-01
CHIEF HIGHWAY ENGINEER DATE

DESIGN STANDARDS ENGINEER