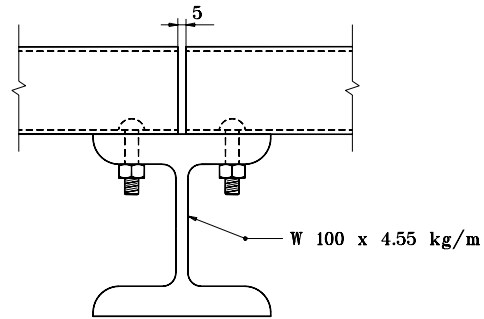
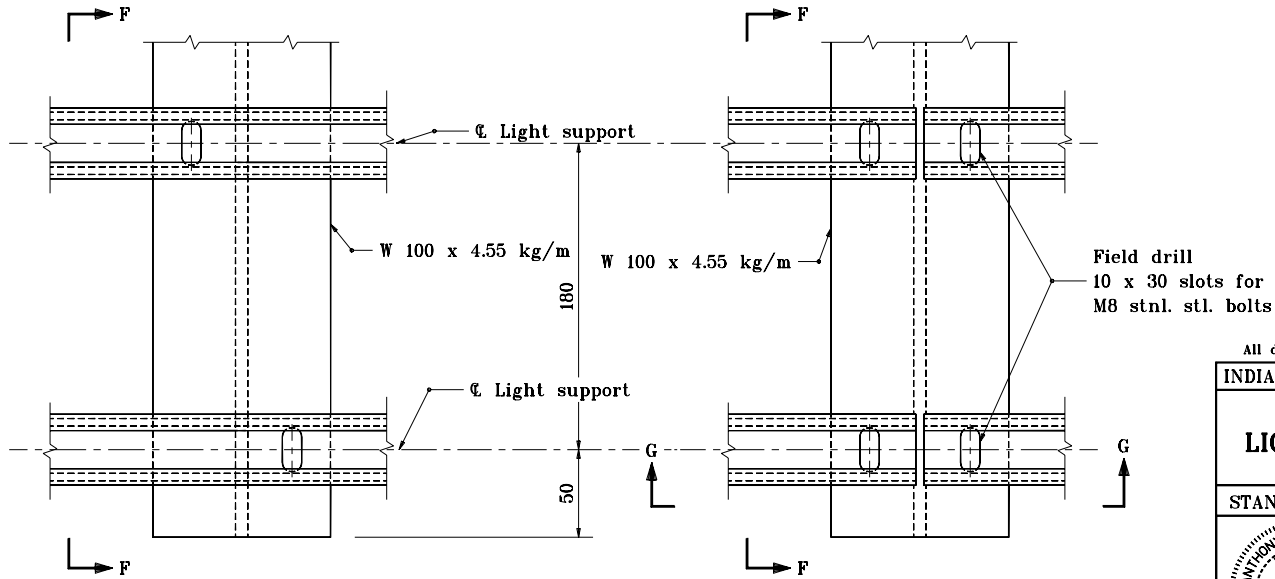


SECTION F-F



SECTION G-G



DETAIL F

DETAIL G

All dimensions are in mm unless otherwise specified.

INDIANA DEPARTMENT OF TRANSPORTATION

SIGN DETAILS

LIGHTING FIXTURE MOUNTS

SEPTEMBER 2001

STANDARD DRAWING NO. 802-SNWW-06

	<i>/s/ Anthony L. Uremovich</i> 9-04-01 <small>DESIGN STANDARDS ENGINEER DATE</small>
	<i>/s/ Firooz Zandi</i> 9-04-01 <small>CHIEF HIGHWAY ENGINEER DATE</small>

DESIGN STANDARDS ENGINEER