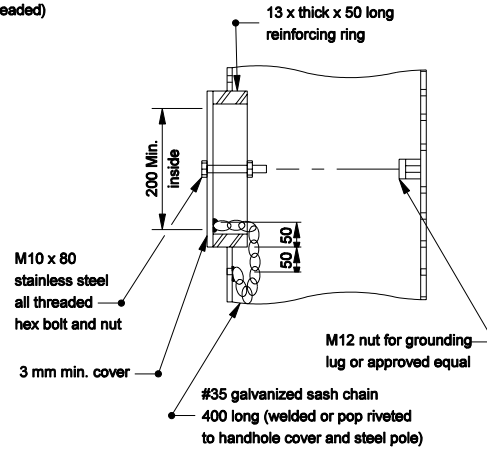


HANDHOLE AND GROUNDING LUG



POLE BAND POSITION			
POLE LENGTH	A	B	C
9.2 m	150	2450	3650
11 m	300	4000	5200

POLE BAND SIZE NUMBER	O.D.(ACROSS POINTS) OF POLE (ROUND OR MULTISIDED)	
	MIN.	MAX.
12	295	330
13	330	360
14	355	385
15	380	405

GENERAL NOTES:

- ① Taper pole 12 mm per foot of length.
- ② Band position can be variable depending of minimum clearance requirement of tether the cable over the road, and the elevation of the top of the foundation relative to the top of the traveled roadway.
- ③ Design load of 35.6 kN applied perpendicular to pole axis 460 from top of pole.

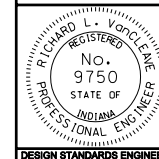
All dimensions are in mm unless otherwise specified

INDIANA DEPARTMENT OF TRANSPORTATION

**30 ft. AND 36 ft. SIGNAL
STEEL STRAIN POLES**

SEPTEMBER 2005

STANDARD DRAWING NO. 805-SGSP-01



/s/ Richard L. VanCleave 9-01-05
DESIGN STANDARDS ENGINEER DATE

/s/ Richard K. Smutzer 9-01-05
CHIEF HIGHWAY ENGINEER DATE

DESIGN STANDARDS ENGINEER