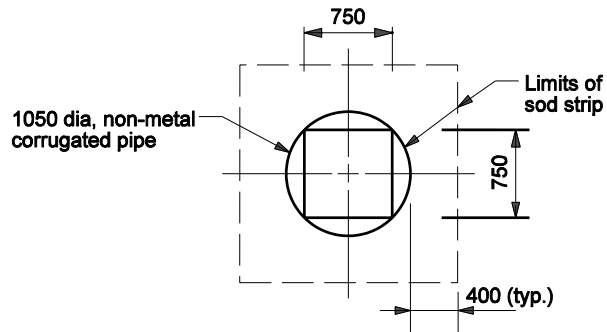
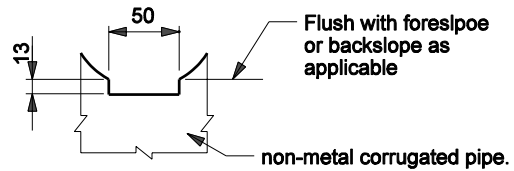


**PLAN, ROUND FOUNDATION**



**PLAN, SQUARE FOUNDATION**



**DRAINAGE NOTCH**

**Notes:**

1. Drainage notch shall follow the slope of the ground.

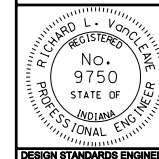
All Dimension are in mm unless otherwise specified

INDIANA DEPARTMENT OF TRANSPORTATION

**LIGHT STANDARD FOUNDATION  
GRADING DETAILS**

SEPTEMBER 2005

STANDARD DRAWING NO. 807-LTFD-04A



/s/ Richard L. VanCleave 9-01-05  
DESIGN STANDARDS ENGINEER DATE

/s/ Richard K. Smutzer 9-01-05  
CHIEF HIGHWAY ENGINEER DATE

DESIGN STANDARDS ENGINEER