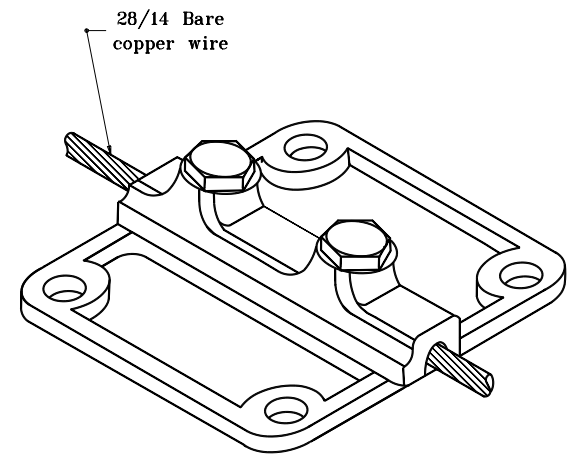
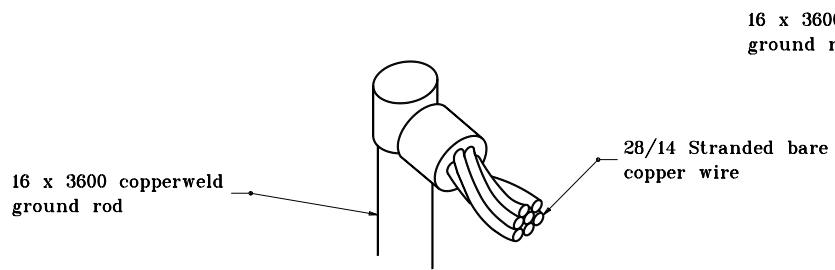


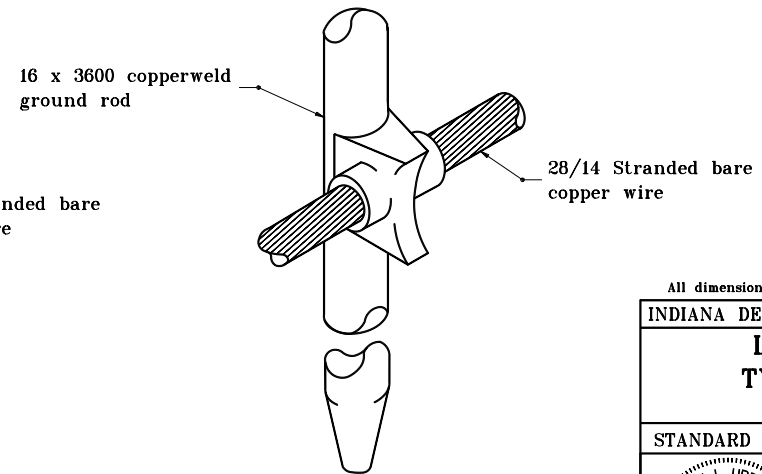
GROUNDING GRID CONNECTOR



**BONDING PLATE
(DETAIL A)**



TOP CONNECTION

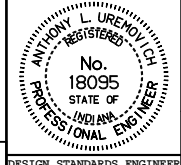


SIDE CONNECTION

THERMOWELD PROCESS

All dimensions are in mm unless otherwise specified.
 INDIANA DEPARTMENT OF TRANSPORTATION
LIGHTNING ROD
TYPICAL DETAILS
 MARCH 1995

STANDARD DRAWING NO. **807-LTLR-02**



/s/ Anthony L. Uremovich 3-01-95
 DESIGN STANDARDS ENGINEER DATE

/s/ Donald W. Lucas 3-01-95
 CHIEF HIGHWAY ENGINEER DATE

Source Sheet: **NONE**