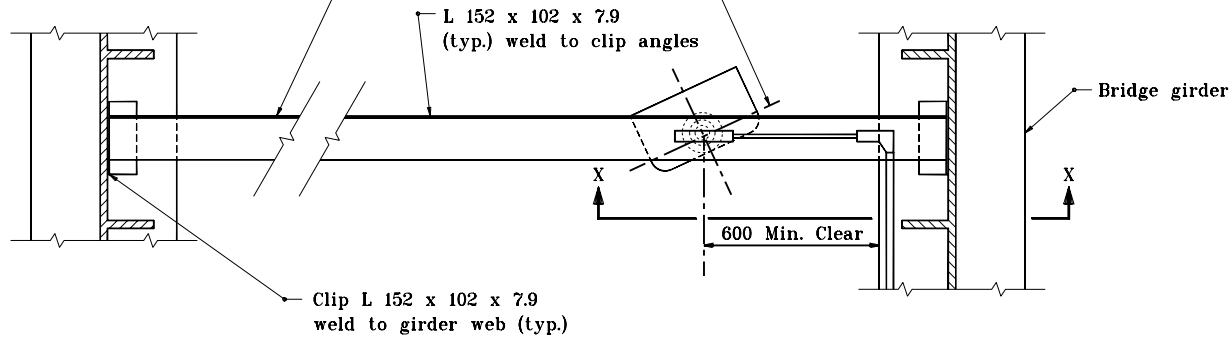


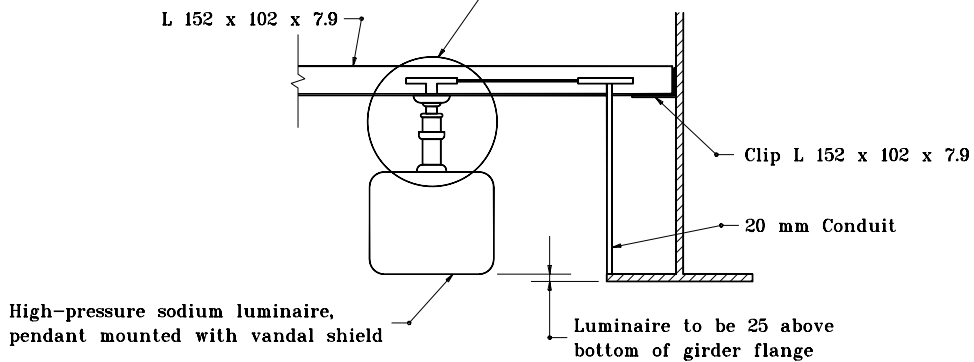
Skew angle where necessary to clear web stiffeners and cross frames

Locate lateral C of luminaire over edge of roadway as noted on plans



PLAN VIEW

Refer to underpass luminaire pendant hanger detail

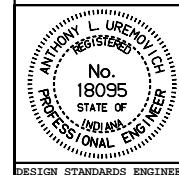


SECTION X-X

All dimensions are in mm unless otherwise specified.

INDIANA DEPARTMENT OF TRANSPORTATION
UNDERPASS LIGHTING DETAILS
PENDANT MOUNTING
 JANUARY 2000

STANDARD DRAWING NO. **807-LTUP-02**



/s/ Anthony L. Uremovich 1-03-00
 DESIGN STANDARDS ENGINEER DATE

/s/ Firooz Zandi 1-03-00
 CHIEF HIGHWAY ENGINEER DATE

DESIGN STANDARDS ENGINEER