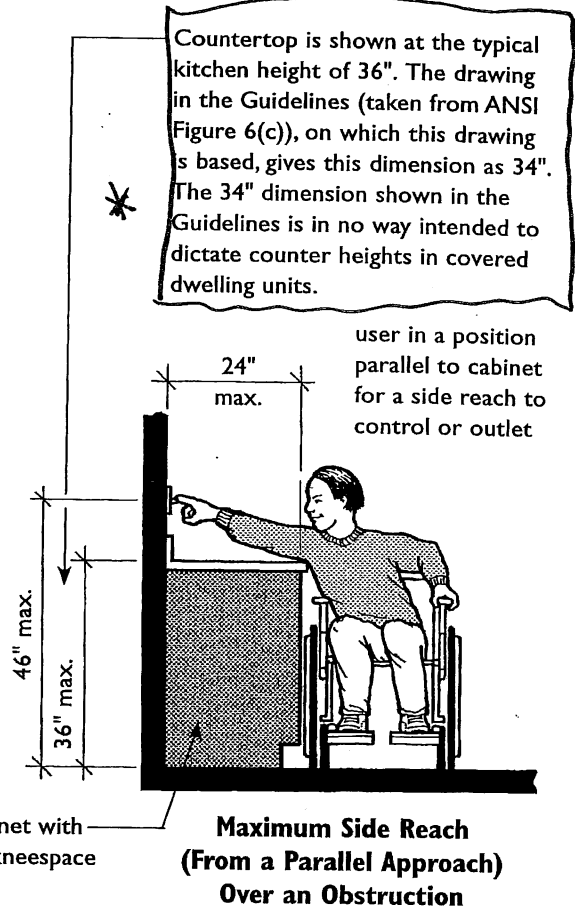


**SIDE REACH
OVER AN OBSTRUCTION**

To reach controls and outlets mounted over base cabinets which lack knee space, a person using a wheelchair must be able to approach the cabinet from a position parallel to the cabinet and execute a side reach. This parallel position is made up of a 30-inch x 48-inch clear floor space adjoining a 36-inch wide minimum accessible route. When executing a side reach over a cabinet, the upper limit of the range is reduced to 46 inches.

Cabinet depth is limited to 24 inches. HUD permits use of a standard 24-inch deep cabinet with an additional extension of 1 to 1-1/2 inches for countertops for a maximum depth of 25-1/2 inches. If a built-in shelf, cabinet, or other obstruction must be deeper than 25-1/2 inches, then any switches, outlets, and controls that must be in accessible locations are not permitted to be installed over such deep surfaces.



MOUNTING LOCATIONS FOR OUTLETS

For accessible controls and outlets, all operable parts must be within the ranges specified above. When electrical outlets are installed horizontally or vertically, duplex outlets must have both receptacles within the reach range.

