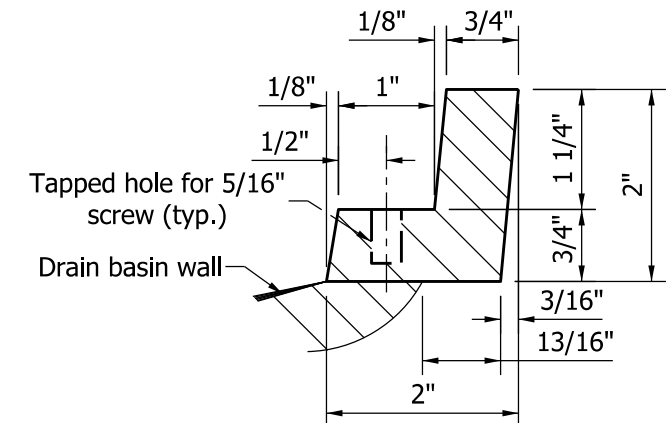
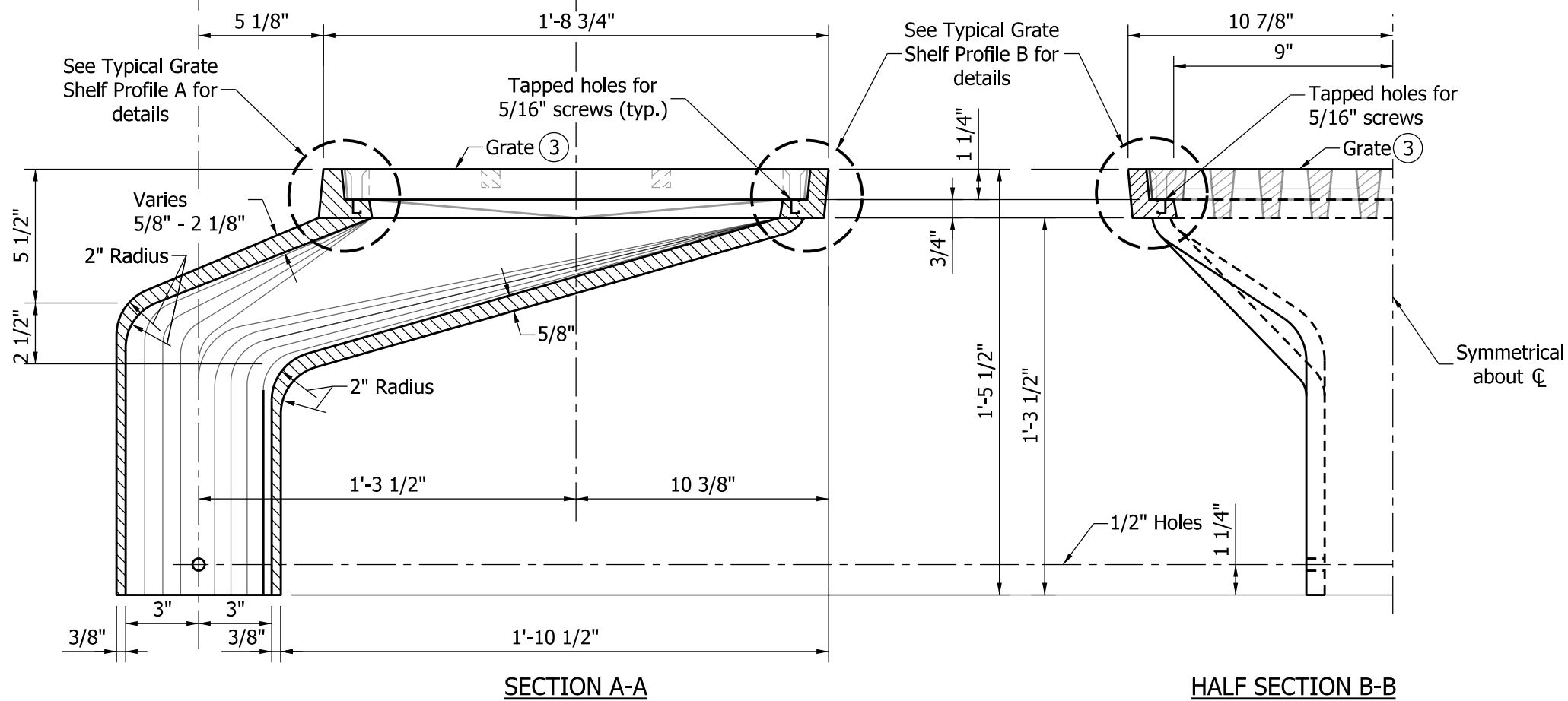


**TYPICAL GRATE SHELF PROFILE A  
(OUTLET SIDE OF BASIN)**



**TYPICAL GRATE SHELF PROFILE B  
(NON-OUTLET SIDE OF BASIN)**



**NOTES**

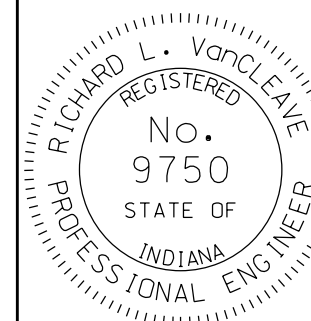
1. See Standard Drawing E 715-BDCG-01 for deck drain casting extension pipe details.
2. See Standard Drawing E 704-BDCG-05 for adjusting frame details.
- ③ See Standard Drawing E 704-BDCG-02 for grate details.

INDIANA DEPARTMENT OF TRANSPORTATION

DECK DRAIN  
TYPE OS

SEPTEMBER 2012

STANDARD DRAWING NO. E 704-BDCG-01



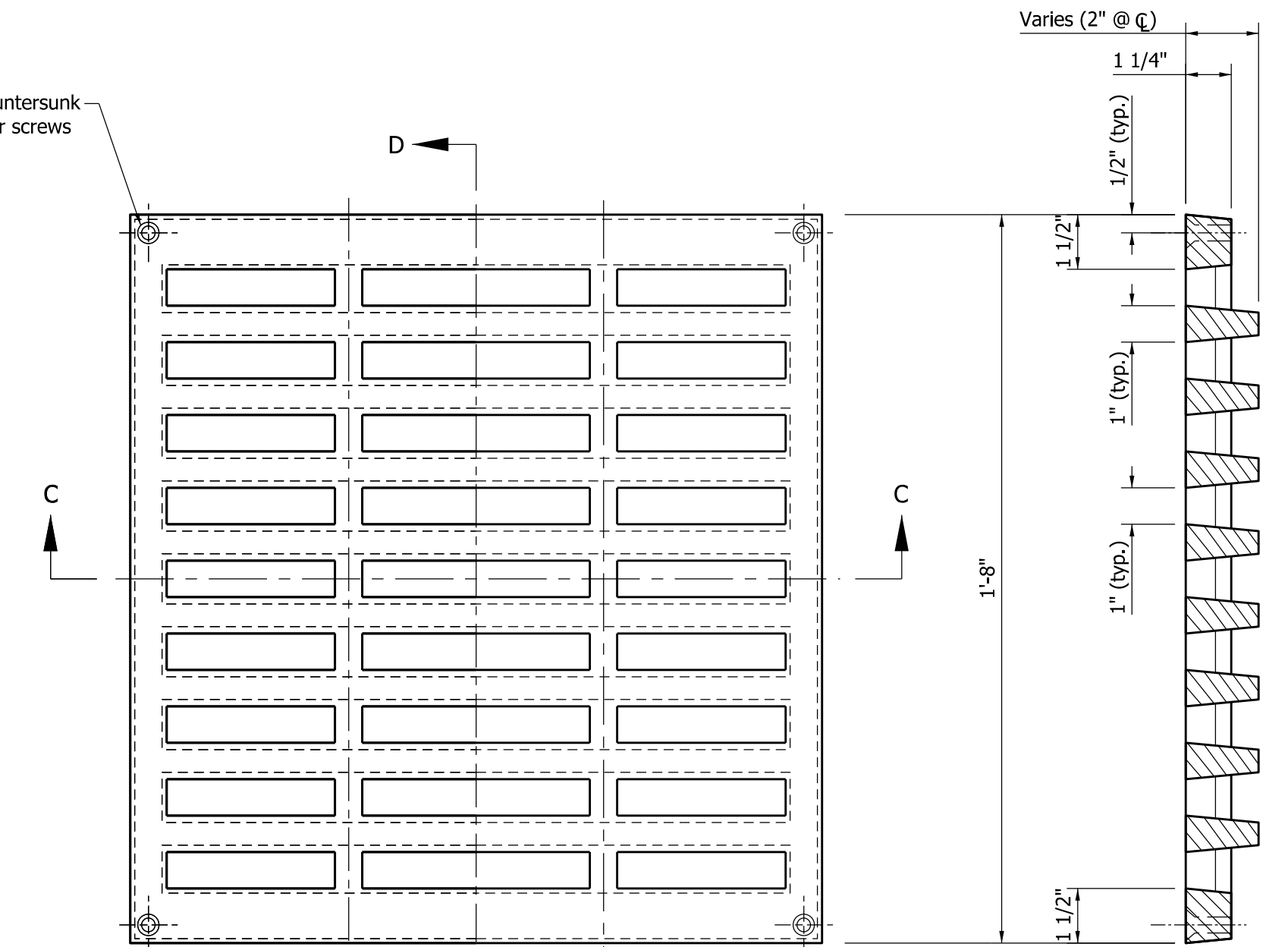
/s/ Richard L. VanCleave 09/04/12

SUPERVISOR, ROADWAY STANDARDS DATE

/s/ Mark A. Miller 09/04/12

CHIEF ENGINEER DATE

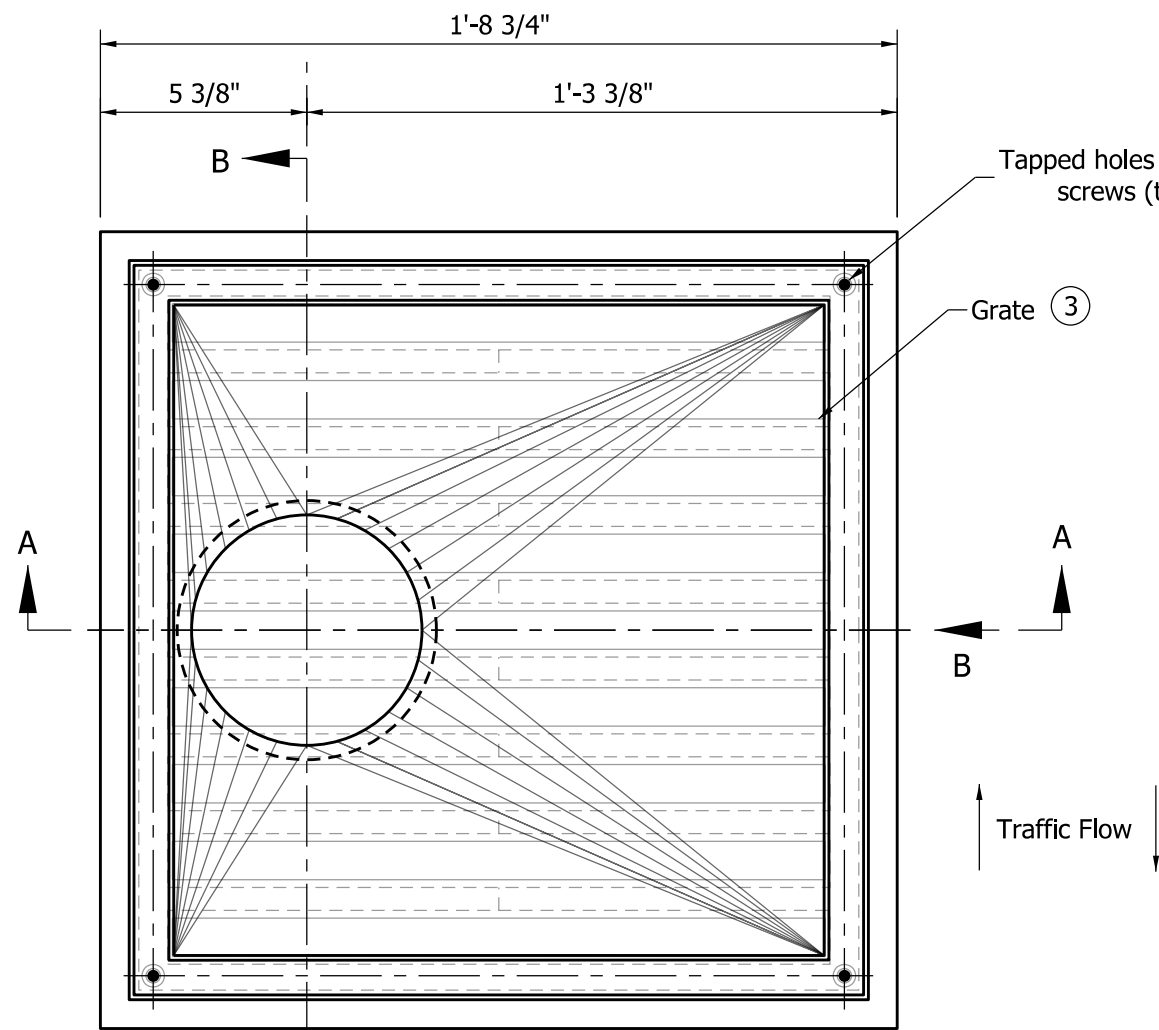
② 3/8" countersunk holes for screws (typ.)



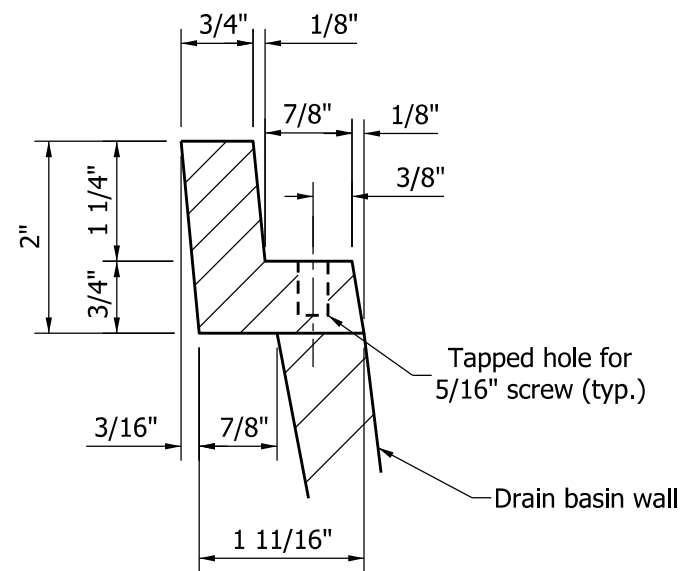
**NOTES**

1. This grate used with Type OS deck drain. See Standard Drawing E 704-BDCG-01 for deck drain details.
- ② 4 - 5/16" x 1 3/4" flat-head stainless steel screws required for each grate.

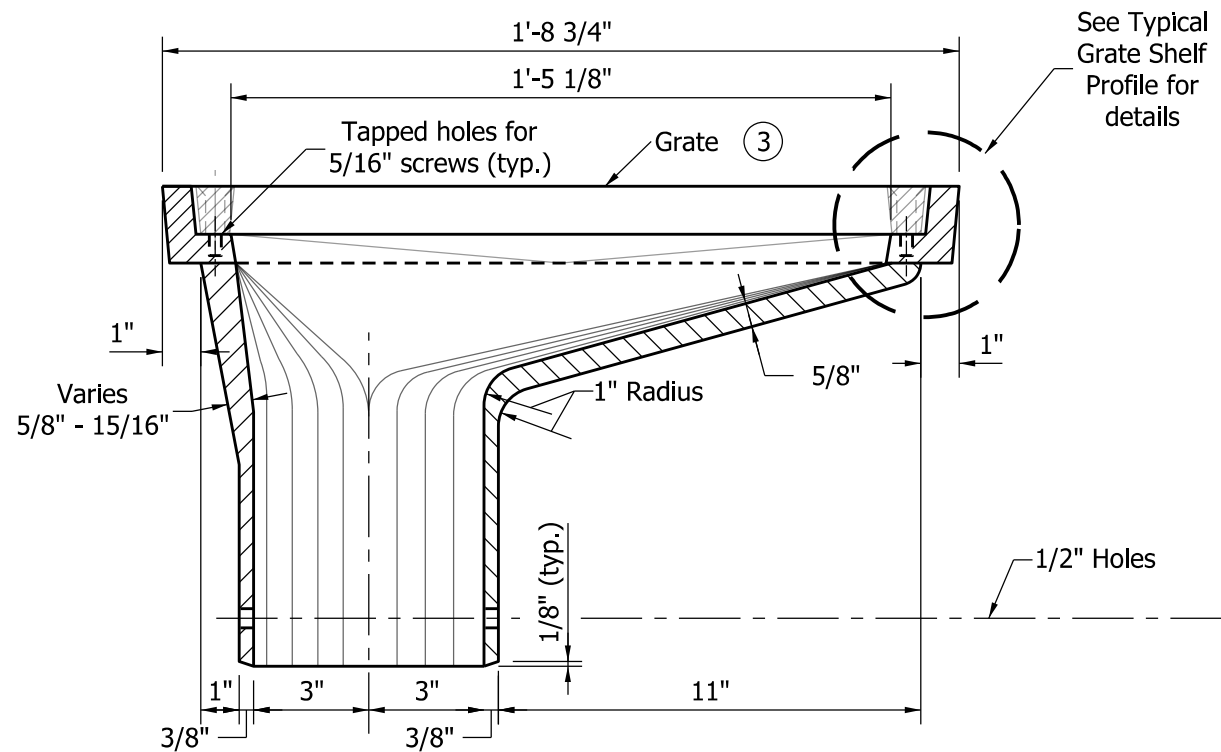
INDIANA DEPARTMENT OF TRANSPORTATION	
DECK DRAIN TYPE OS GRATE	
SEPTEMBER 2012	
STANDARD DRAWING NO. E 704-BDCG-02	
	/s/ <i>Richard L. VanCleave</i> 09/04/12 SUPERVISOR, ROADWAY STANDARDS      DATE
	/s/ <i>Mark A. Miller</i> 09/04/12 CHIEF ENGINEER      DATE



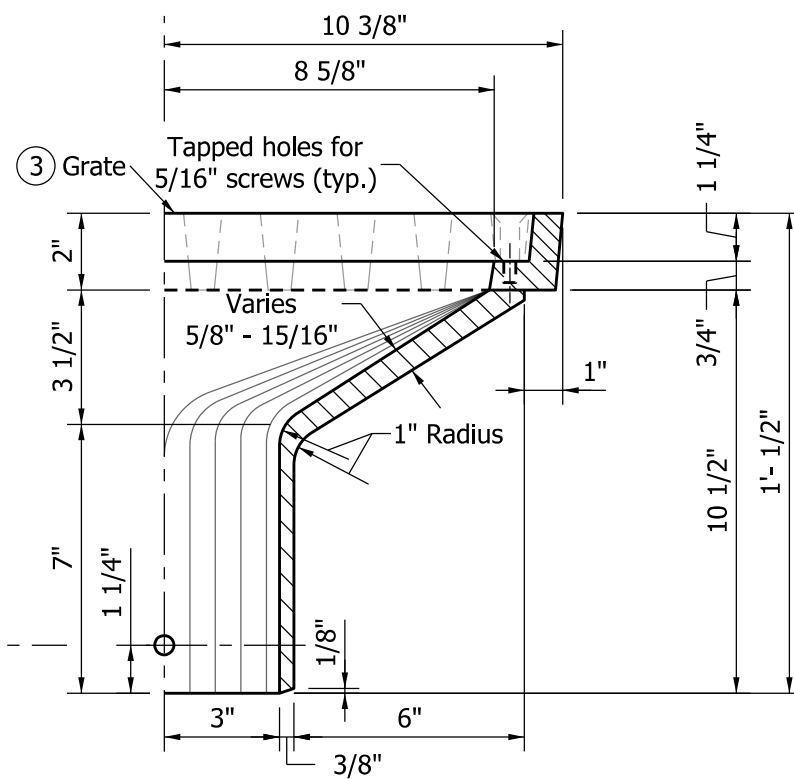
PLAN



TYPICAL GRATE SHELF PROFILE



SECTION A-A



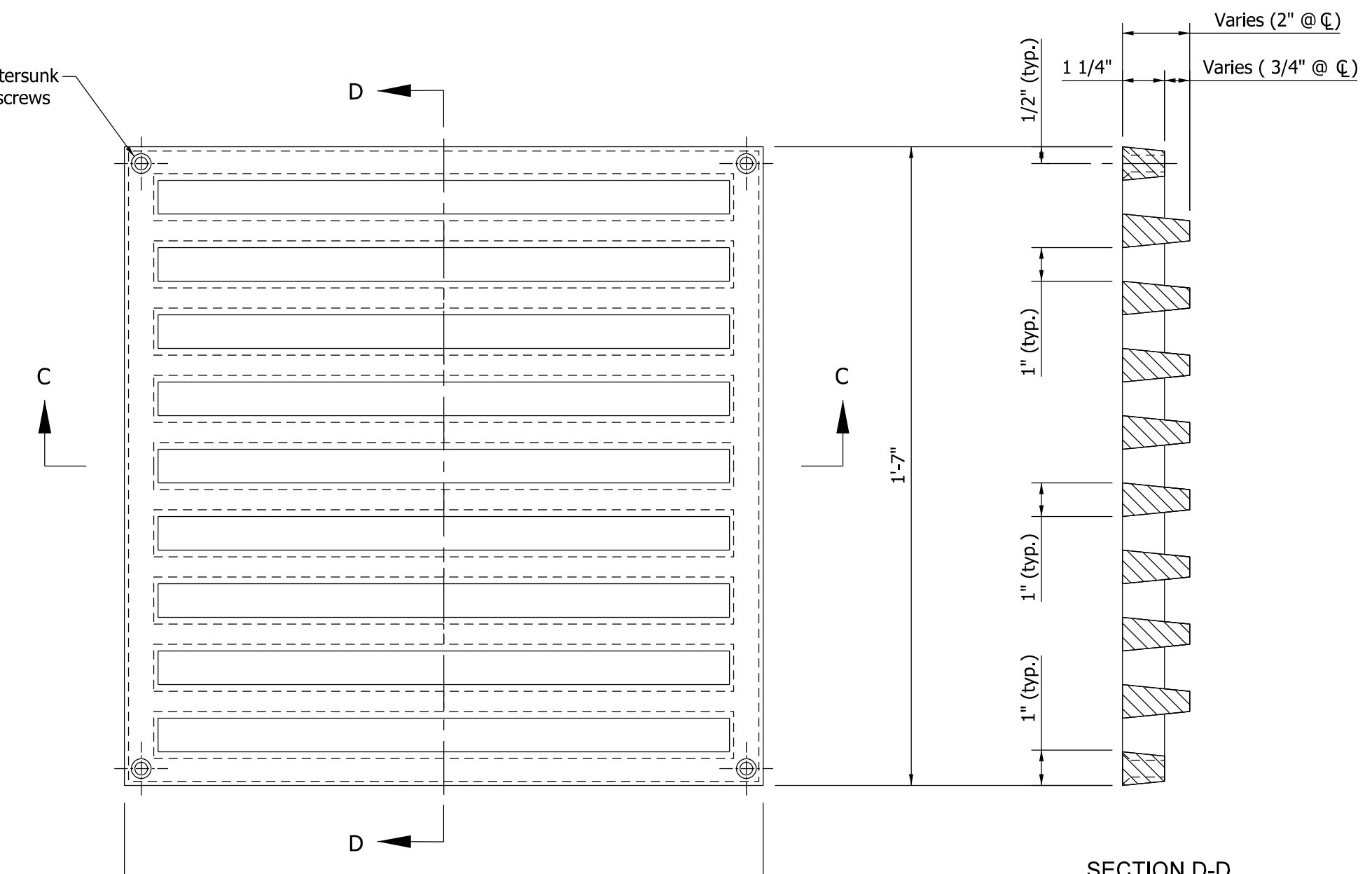
HALF SECTION B-B

NOTES

1. See Standard Drawing E 715-BDCG-01 for deck drain casting extension pipe details.
2. See Standard Drawing E 704-BDCG-05 for adjusting frame details.
3. See Standard Drawing E 704-BDCG-04 for grate details.

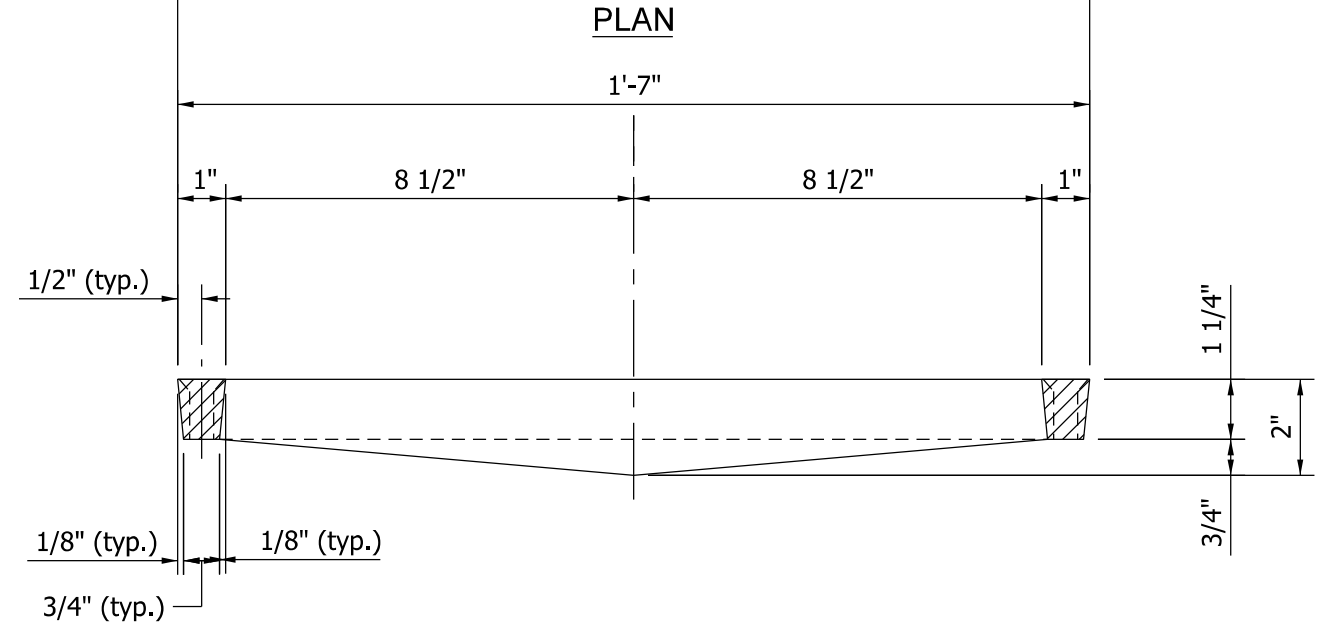
INDIANA DEPARTMENT OF TRANSPORTATION	
DECK DRAIN TYPE SQ	
SEPTEMBER 2012	
STANDARD DRAWING NO.	E 704-BDCG-03
	/s/ Richard L. VanCleave      09/04/12 SUPERVISOR, ROADWAY STANDARDS      DATE
	/s/ Mark A. Miller      09/04/12 CHIEF ENGINEER      DATE

③ 3/8" countersunk holes for screws (typ.)



PLAN


SECTION D-D

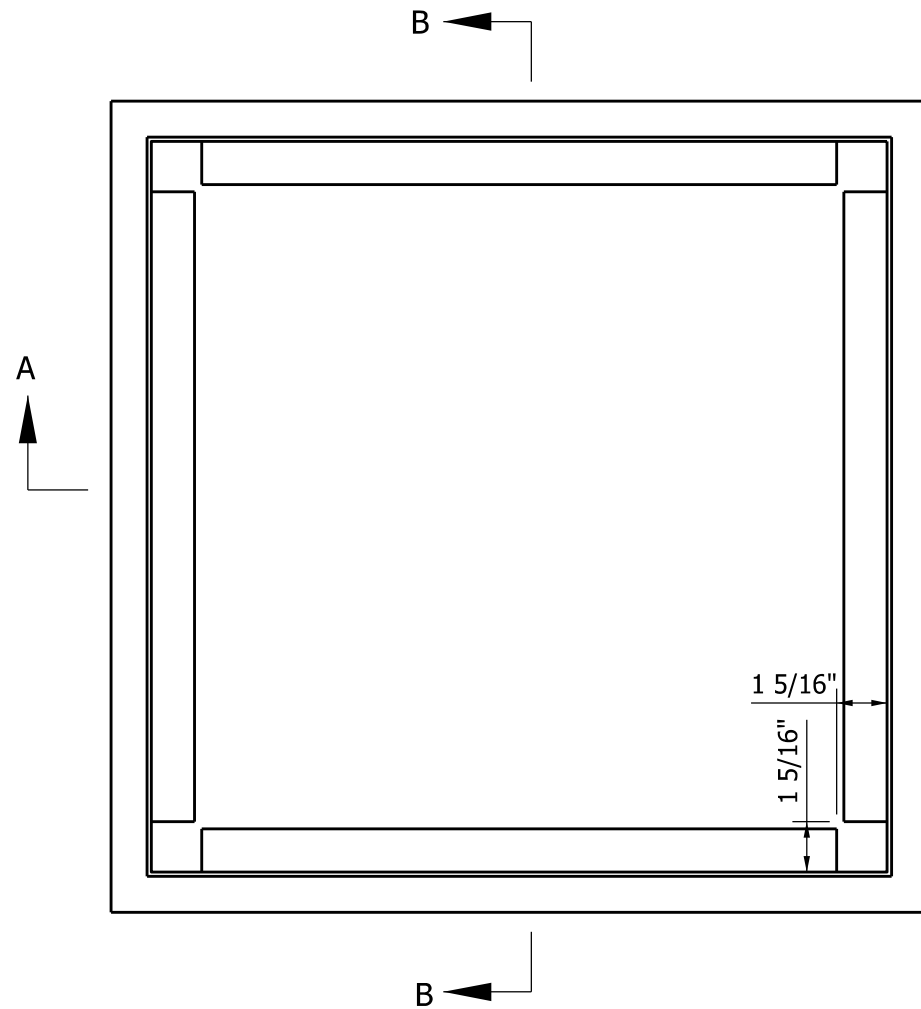


SECTION C-C

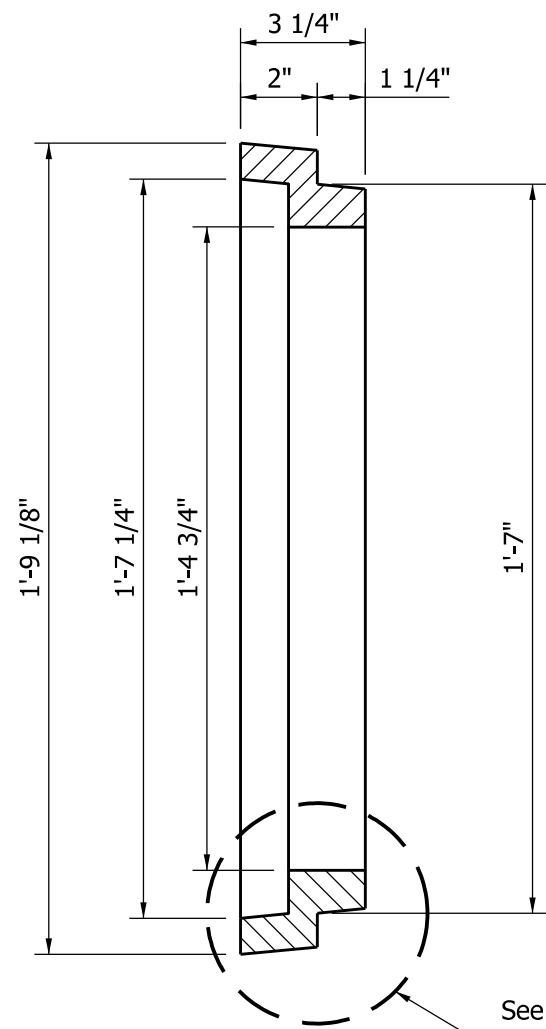
**NOTES**

1. See the floor details on the plans for orientation of the grate.
2. This grate used with Type SQ deck drain. See Standard Drawing E 704-BDCG-03 for deck drain details.
- ③ 4 - 5/16" x 1 3/4" flat-head stainless steel screws required for each grate.

INDIANA DEPARTMENT OF TRANSPORTATION									
DECK DRAIN TYPE SQ GRATE									
SEPTEMBER 2012									
STANDARD DRAWING NO.	E 704-BDCG-04								
	<table style="width: 100%; border-collapse: collapse;"> <tr> <td style="width: 70%; border-bottom: 1px solid black;">/s/ <i>Richard L. VanCleave</i></td> <td style="width: 30%; border-bottom: 1px solid black;">09/04/12</td> </tr> <tr> <td style="font-size: small;">SUPERVISOR, ROADWAY STANDARDS</td> <td style="font-size: small;">DATE</td> </tr> <tr> <td style="border-bottom: 1px solid black;">/s/ <i>Mark A. Miller</i></td> <td style="border-bottom: 1px solid black;">09/04/12</td> </tr> <tr> <td style="font-size: small;">CHIEF ENGINEER</td> <td style="font-size: small;">DATE</td> </tr> </table>	/s/ <i>Richard L. VanCleave</i>	09/04/12	SUPERVISOR, ROADWAY STANDARDS	DATE	/s/ <i>Mark A. Miller</i>	09/04/12	CHIEF ENGINEER	DATE
/s/ <i>Richard L. VanCleave</i>	09/04/12								
SUPERVISOR, ROADWAY STANDARDS	DATE								
/s/ <i>Mark A. Miller</i>	09/04/12								
CHIEF ENGINEER	DATE								



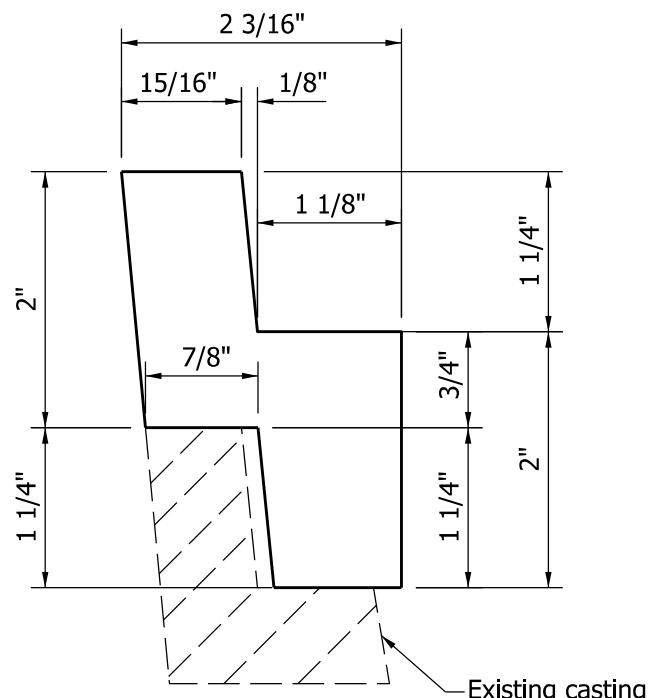
PLAN VIEW



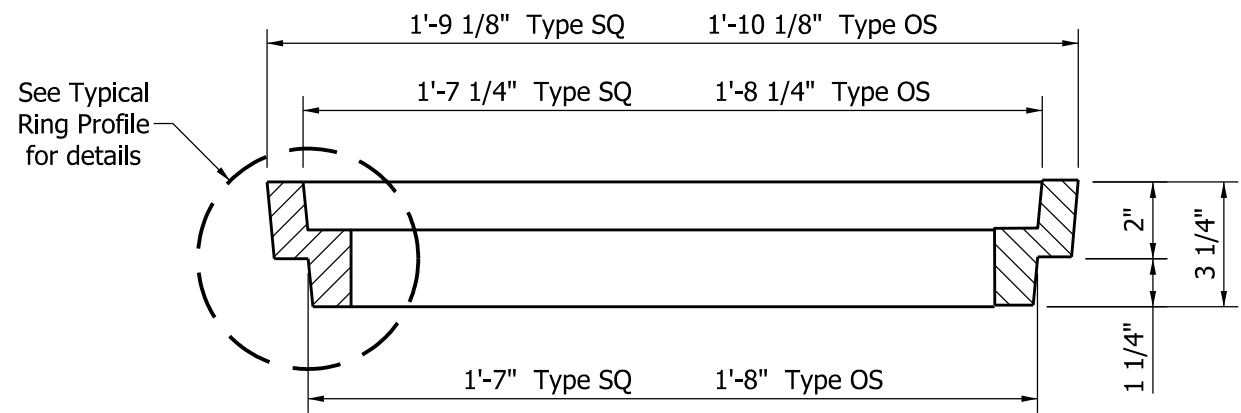
SECTION B-B

NOTES

- 4 - 5/16" x 3 3/4" flat-head stainless steel screws required when frame is used.



TYPICAL RING PROFILE



SECTION A-A

INDIANA DEPARTMENT OF TRANSPORTATION	
DECK DRAIN TYPE OS OR SQ ADJUSTING FRAME	
SEPTEMBER 2012	
STANDARD DRAWING NO.	E 704-BDCG-05
	/s/ <i>Richard L. VanCleave</i> 09/04/12
	SUPERVISOR, ROADWAY STANDARDS DATE
	/s/ <i>Mark A. Miller</i> 09/04/12
	CHIEF ENGINEER DATE