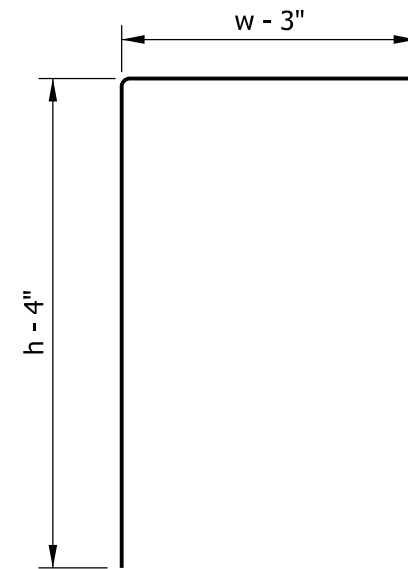


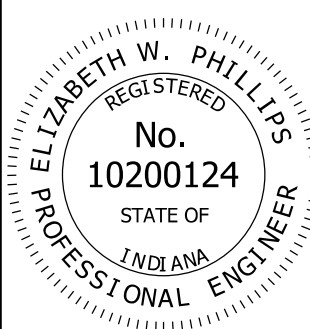
TYPICAL SECTION

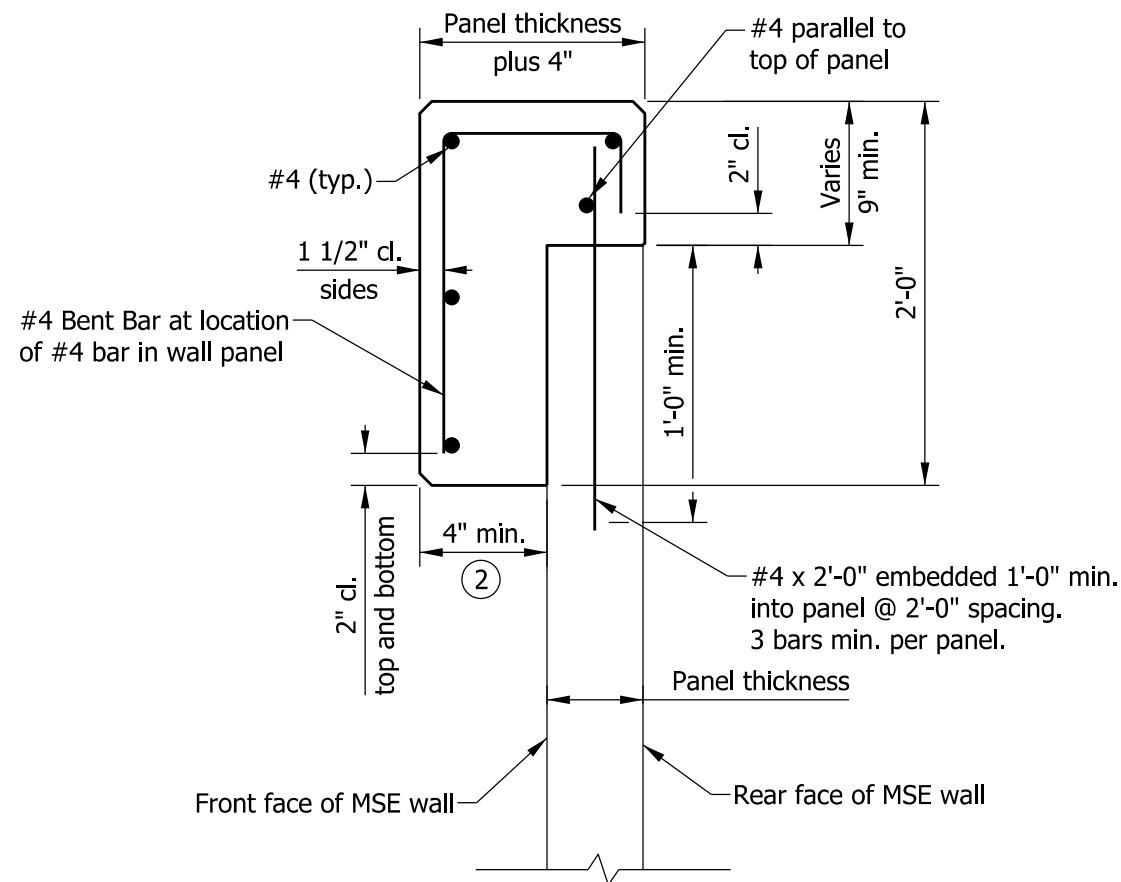


#4 BENT BAR

NOTES:

1. Precast coping unit length shall be 10'-0".
2. Reinforcing bar size, length, and spacing shall be determined by the manufacturer.
3. All chamfered edges shall be 3/4".
4. See Standard Drawing E 703-BRST-01 for reinforcing-bar bending details and notes.
- (5) Leveling concrete is required when adjacent top panels do not provide a continuous surface on which to place the precast coping, e.g., stepped panels or rectangular panels on a sloping grade. Leveling concrete is not required when custom top panels provide a surface parallel to the finished grade.
- (6) Use only when leveling concrete is required.

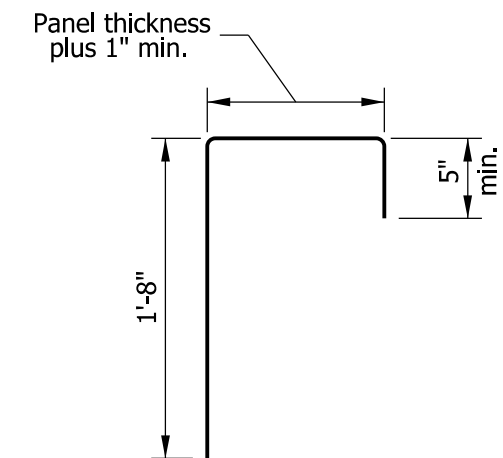
INDIANA DEPARTMENT OF TRANSPORTATION									
MSE WALL PRECAST CONCRETE COPING									
SEPTEMBER 2013									
STANDARD DRAWING NO.	E 731-MSEW-01								
	<table style="width: 100%; border-collapse: collapse;"> <tr> <td style="padding: 2px 5px;"><i>/s/ Elizabeth W. Phillips</i></td> <td style="text-align: right; padding: 2px 5px;">02/22/13</td> </tr> <tr> <td style="padding: 2px 5px;">DESIGN STANDARDS ENGINEER</td> <td style="text-align: right; padding: 2px 5px;">DATE</td> </tr> <tr> <td style="padding: 2px 5px;"><i>/s/ Mark A. Miller</i></td> <td style="text-align: right; padding: 2px 5px;">03/27/13</td> </tr> <tr> <td style="padding: 2px 5px;">CHIEF ENGINEER</td> <td style="text-align: right; padding: 2px 5px;">DATE</td> </tr> </table>	<i>/s/ Elizabeth W. Phillips</i>	02/22/13	DESIGN STANDARDS ENGINEER	DATE	<i>/s/ Mark A. Miller</i>	03/27/13	CHIEF ENGINEER	DATE
<i>/s/ Elizabeth W. Phillips</i>	02/22/13								
DESIGN STANDARDS ENGINEER	DATE								
<i>/s/ Mark A. Miller</i>	03/27/13								
CHIEF ENGINEER	DATE								



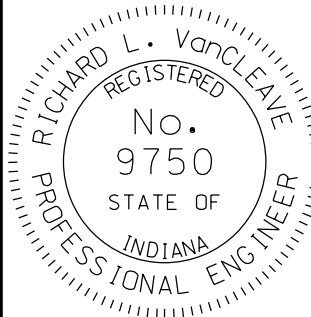
TYPICAL SECTION

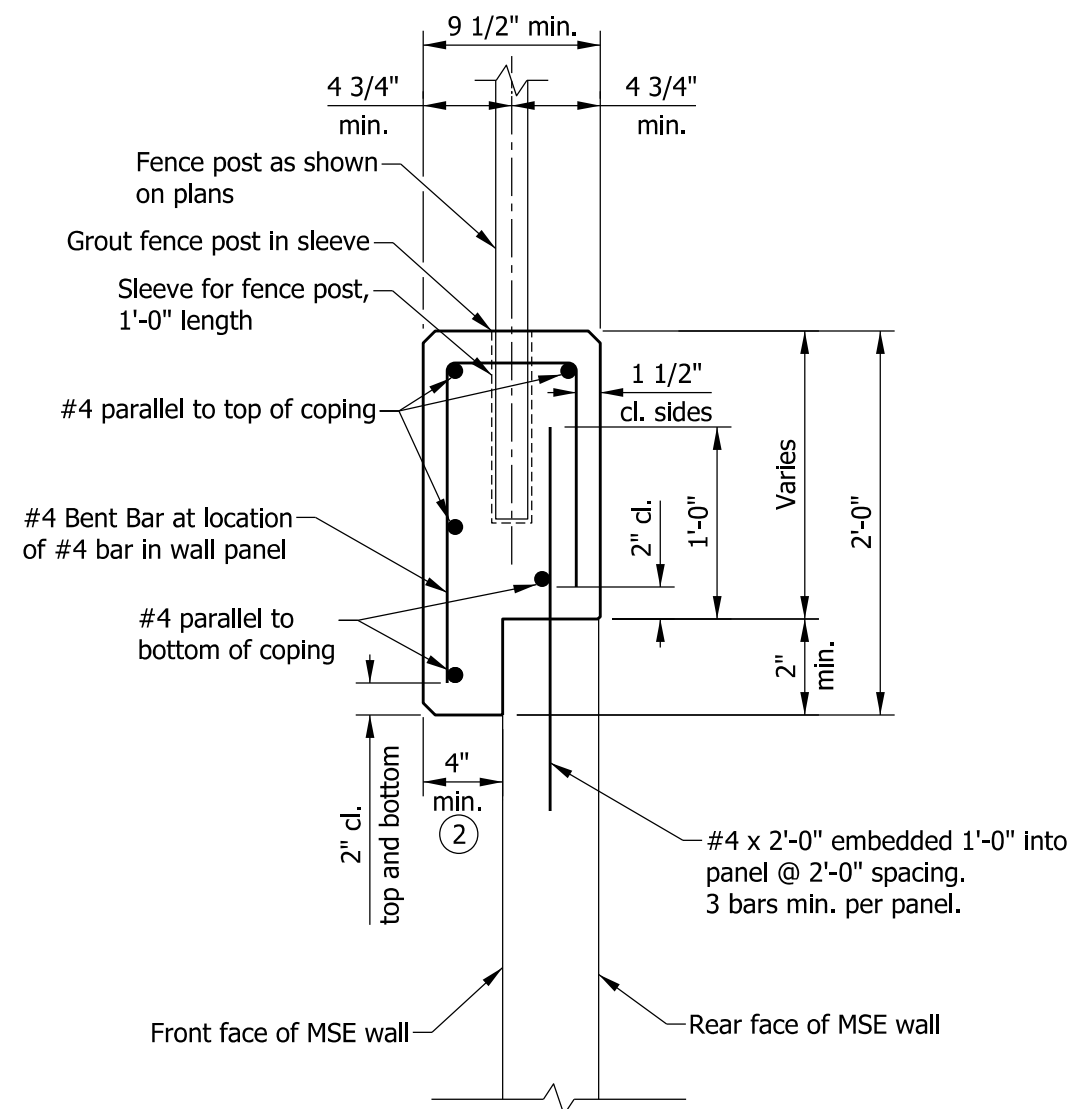
NOTES

1. Coping joints shall coincide approximately with the panel joints. Reinforcing bars' ends shall be 2" short of near side of each joint.
- ② The front face of a cast-in-place coping shall match the front face of a precast coping where used in conjunction.
3. All chamfered edges shall be 3/4".
4. See Standard Drawing E 703-BRST-01 for reinforcing-bar bending details and notes.



#4 BENT BAR

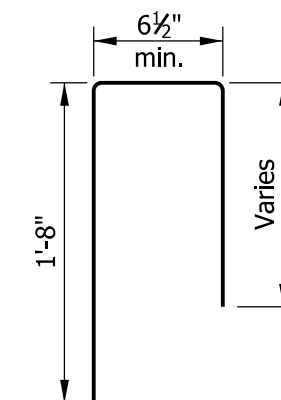
INDIANA DEPARTMENT OF TRANSPORTATION									
MSE WALL CAST-IN-PLACE CONCRETE COPING SEPTEMBER 2012									
STANDARD DRAWING NO. E 731-MSEW-02									
	<table style="width: 100%; border-collapse: collapse;"> <tr> <td style="width: 70%; border-bottom: 1px solid black;">/s/ <i>Richard L. VanCleave</i></td> <td style="width: 30%; border-bottom: 1px solid black;">09/04/12</td> </tr> <tr> <td style="font-size: small;">SUPERVISOR, ROADWAY STANDARDS</td> <td style="font-size: small;">DATE</td> </tr> <tr> <td style="border-bottom: 1px solid black;">/s/ <i>Mark A. Miller</i></td> <td style="border-bottom: 1px solid black;">09/04/12</td> </tr> <tr> <td style="font-size: small;">CHIEF ENGINEER</td> <td style="font-size: small;">DATE</td> </tr> </table>	/s/ <i>Richard L. VanCleave</i>	09/04/12	SUPERVISOR, ROADWAY STANDARDS	DATE	/s/ <i>Mark A. Miller</i>	09/04/12	CHIEF ENGINEER	DATE
/s/ <i>Richard L. VanCleave</i>	09/04/12								
SUPERVISOR, ROADWAY STANDARDS	DATE								
/s/ <i>Mark A. Miller</i>	09/04/12								
CHIEF ENGINEER	DATE								



TYPICAL SECTION

NOTES

1. Coping joints shall coincide approximately with the panel joints. Reinforcing bars' ends shall be 2" short of near side of each joint.
- ② The front face of a cast-in-place coping shall match the front face of a precast coping where used in conjunction.
3. All chamfered edges shall be 3/4".
4. See Standard Drawing E 703-BRST-01 for reinforcing-bar bending details and notes.



#4 BENT BAR

INDIANA DEPARTMENT OF TRANSPORTATION	
MSE WALL CAST-IN-PLACE CONCRETE COPING WITH PEDESTRIAN FENCE SEPTEMBER 2012	
STANDARD DRAWING NO. E 731-MSEW-03	
	<i>/s/ Richard L. VanCleave</i> 09/04/12 SUPERVISOR, ROADWAY STANDARDS DATE
	<i>/s/ Mark A. Miller</i> 09/04/12 CHIEF ENGINEER DATE